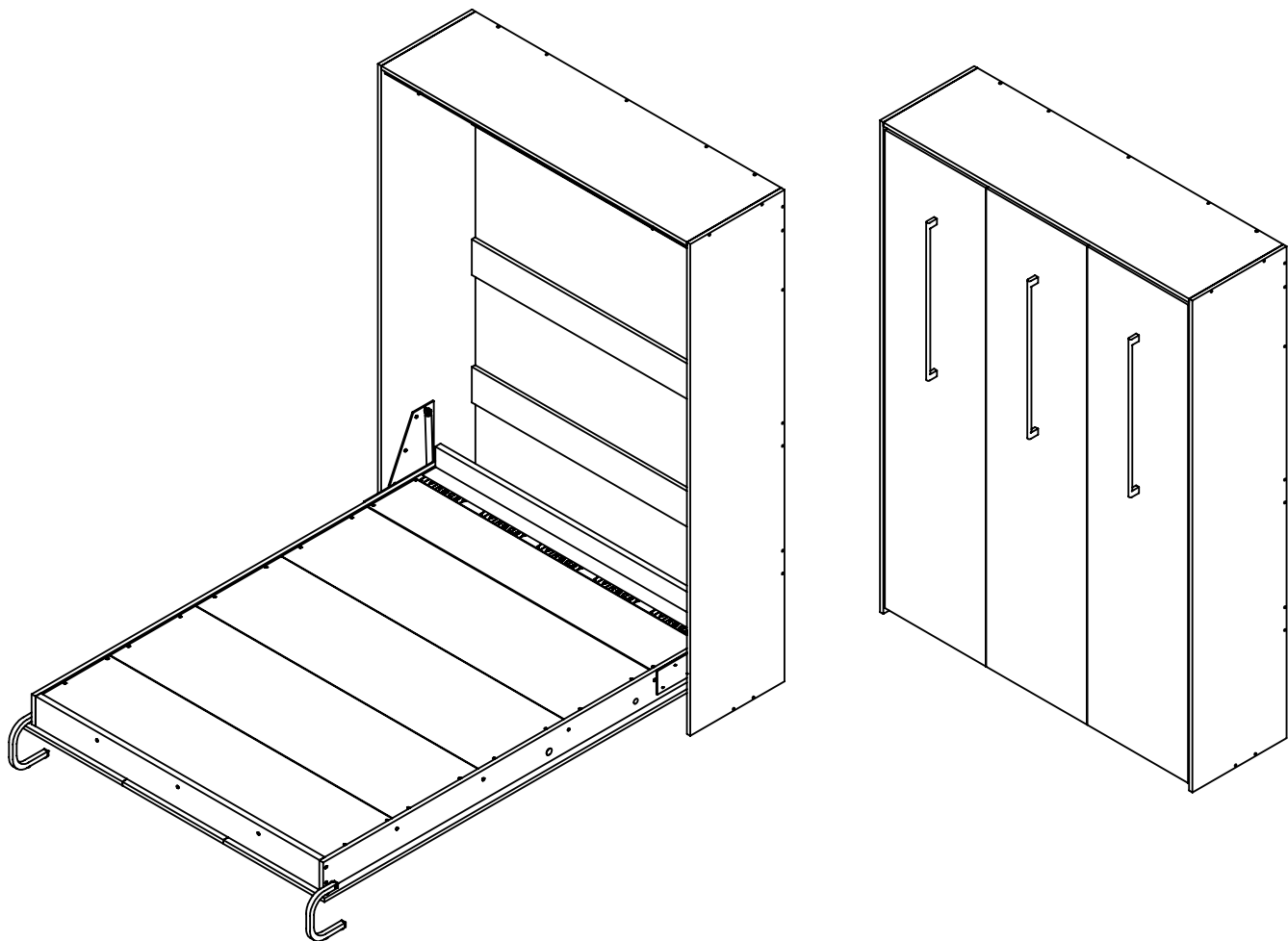




Livingchy^{IV}
WORLD

Soft Opening Classic

Assembly instructions



WARNING

If the bed is not properly secured to the wall, it may suddenly tip over, resulting in serious injury or death. Please read this manual carefully before beginning to assemble the bed.

**Link to interactive guide page 3*

Read carefully before starting the installation. Keep this manual.



WARNING

If the bed is not properly secured to the wall, it may suddenly tip over and cause serious injury or death.

- For wood or masonry wall structures, a qualified person must secure the bed to the wall.
- For all other types of walls, a construction professional must secure the bed to the wall in accordance with the codes and regulations of the province, state or country where the bed is installed.
- The fixing screw must be suitable for the wall composition material where the bed will be fixed.
- The floor and wall structure entirety must be checked before installation.
- Do not open or use the bed if the cabinet moves when opened or if there are any other signs that the screws are loose or detached or if the part to which the screws are attached to the wall is damaged or cracked.
- Never remove the wall fixing screws without first removing the bed base and the pistons.
- A qualified person must have the knowledge and tools to locate the wall studs and identify the type of wall structure (wood, metal, masonry or other) and properly install the screws into the wall structure. Skills and tools required include an electronic stud finder, drill and bits, screwdriver, hammer, level, tape measure and the ability to use these tools correctly.

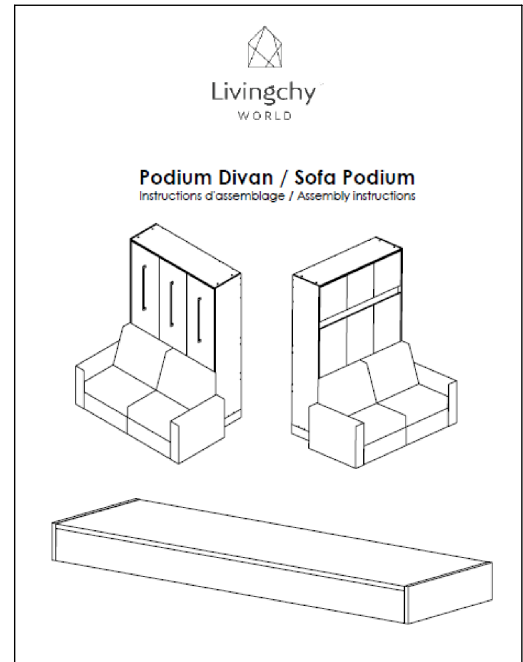
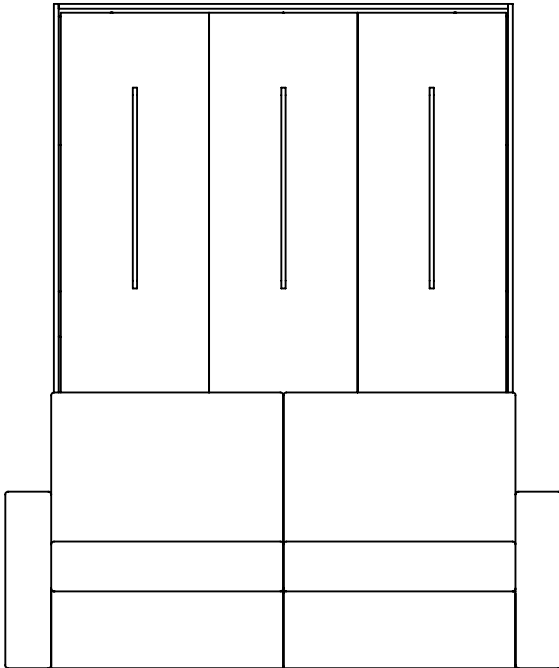
SPÉCIFICATIONS

- Maximum weight supported by the bed base: 1000 lbs
- Mattress weight: 45 lbs
- Mattress thickness: 10 in
- Minimum ceiling height: 91 in
- Minimum holding force required for each fixation: 100 lbs
- Do not use with folding mattress.



WARNING

If you purchased a bed with a sofa, please assemble the podium before starting the assembly of the Murphy bed.



INTERACTIVE GUIDE

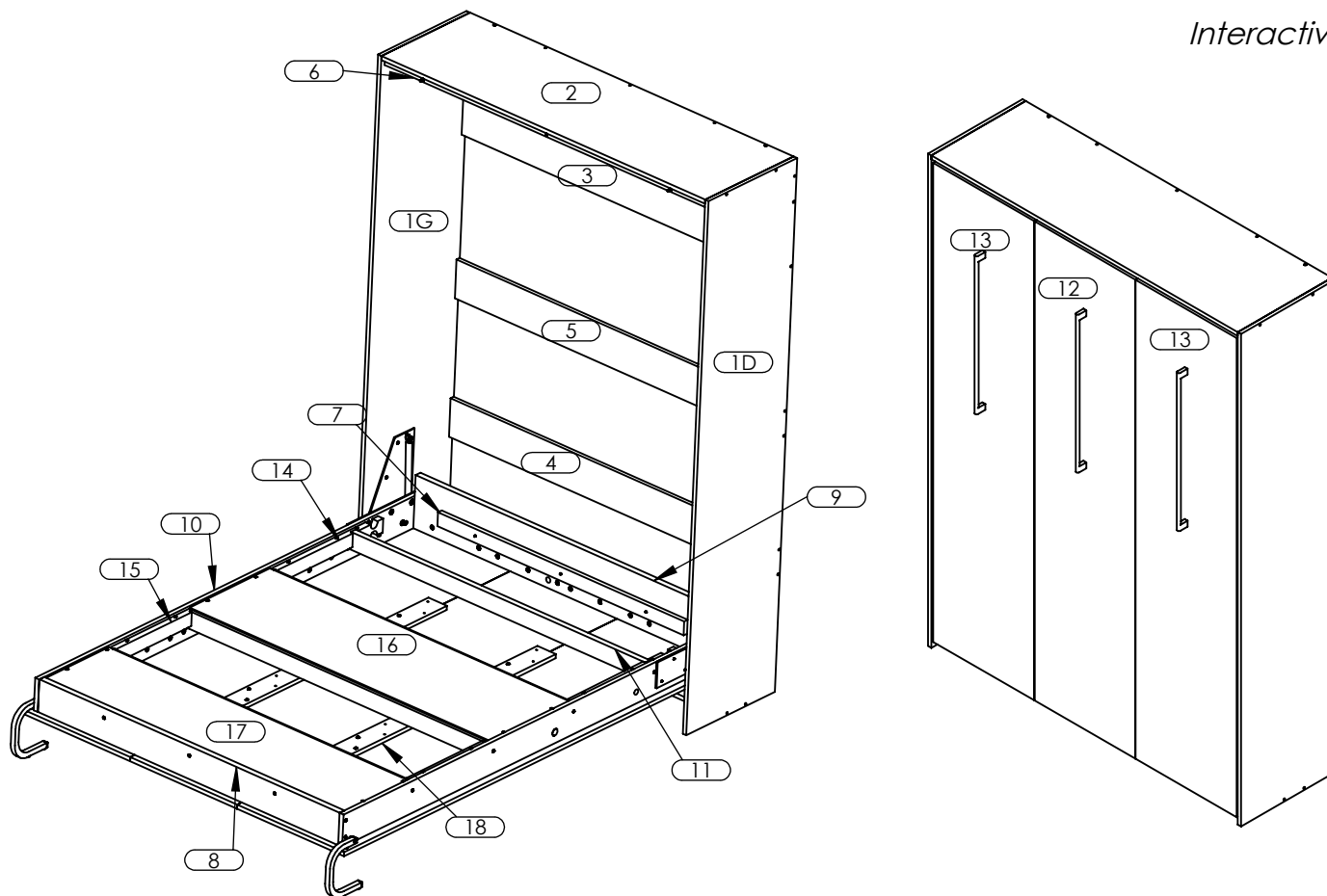
*Please open and follow this interactive guide **in addition to this assembly manual** for an installation efficient and safe. Scan this QR code to access the interactive guide.*



Parts




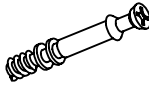
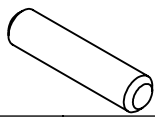
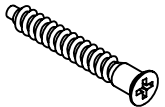
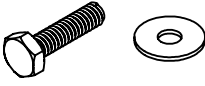




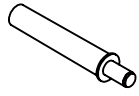





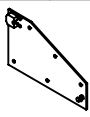
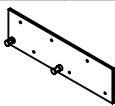
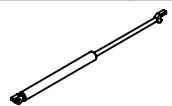


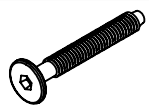
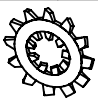


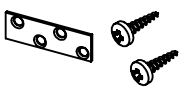

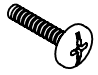
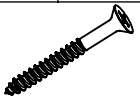
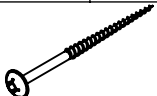
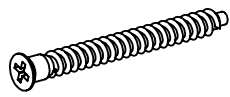
Interactive guide



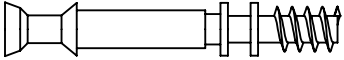
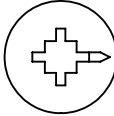



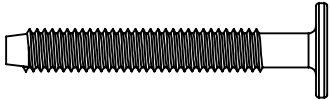

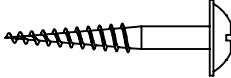
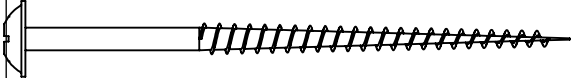

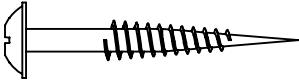
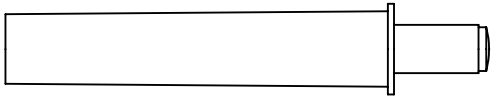
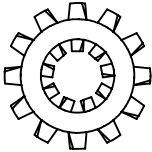


#	PART NUMBER	DESCRIPTION	QTY
1	CA-COD-XX18	Cabinet side L/R	2
2	CA-DED-XX18	Cabinet top	1
3	CA-TRH-XX	Top rail	1
4	CA-TRB-XX	Bottom rail	2
5	CA-TRC-XX	Middle rail	1
6	CA-AP-XX	Door stopper	1
7	MA-SC-1130	Head and foot support	2
8	MA-PID-XX	Footboard	1
9	MA-TED-XX	Headboard	1
10	MA-CODS-XX	Bed side	1
11	MA-ST-XX	Support	4
12	PO-COV3D-C	Middle door	1
13	PO-COV3D-E	Exterior door	2
14	MA-SLC	Support de porte	2
15	MA-SLP	Long support	2
16	HDF-XXVHL-5	Large HDF	3
17	HDF-XXVHE-5	Narrow HDF	2
18	MA-SPO	Door support	2



Hardware checklist

PART	QTY	PART	QTY	PART	QTY
					
CAM-B-10	44	CAM-D-10X35MM	44	GOU-B-516X118	16
					
VIS-C-2	41	BOU-H-M6X25MM	12	PAT-CLOU	4
					
VIS-P-10X34-NOI	16	VIS-W-8X118	12	VIS-P-8X1	20
					
AMO-BUM	3	VIS-W-8X112	10	CAT-NOI	2
					
CAV-XXX	22	CAV-NOI	19	FEUTRE	6
					
100279-2/100279-2G	1G/1D	100279-1/100279-1G	1G/1D	PIS-PXX	2
					
PAT-RF-T	1	PAT-RF-U	2	VIS-A-14x138	2
					
WAS-LONK-14	2	USB	2	ÉLASTIQUE	1
					
FIXATION	2	POI-RO-640MM	3	VIS-R-3X22MM	6
					
VIS-P-8X112	4	VIS-W-8X3	8	VIS-C-70mm	8

Full-size hardware

 <p>CAM-D-10X35MM SOCKET</p>	 <p>CAM-B-10 CAM</p>	 <p>VIS-C-2 2" ASSEMBLY SRCEW</p>
 <p>VIS-P-8X112 FLATHEAD SCREW #8 X 1 1/2"</p>	 <p>BOU-H-M6X25MM BOLT M6X25MM</p>	 <p>VIS-A-14X138 SOCKET HEAD CAP SCREW 1/4X1 1/2"</p>
 <p>VIS-P-8X1 FLAT HEAD SCREW #8X1"</p>	 <p>VIS-W-8X118 WASHER HEAD SCREW #8X1 1/8"</p>	 <p>VIS-W-8X3 WASHER HEAD SCREW #8X 3"</p>
 <p>VIS-P-10X34-NOI BLACK FLATHEAD SCREW #10 X 3/4"</p>	 <p>VIS-W-8X112 VIS TÊTE RONDELLE #8X1 1/2"</p>	 <p>AMO-BLUM DAMPER</p>
 <p>WAS-LOCK-14 LOCKING WASHER 1/4"</p>	 <p>GOU-B-516X118 WOOD DOWEL 5/16" X 1 1/8"</p>	 <p>VIS-C-70mm 70mm ASSEMBLY SCREW</p>

Specials remarks

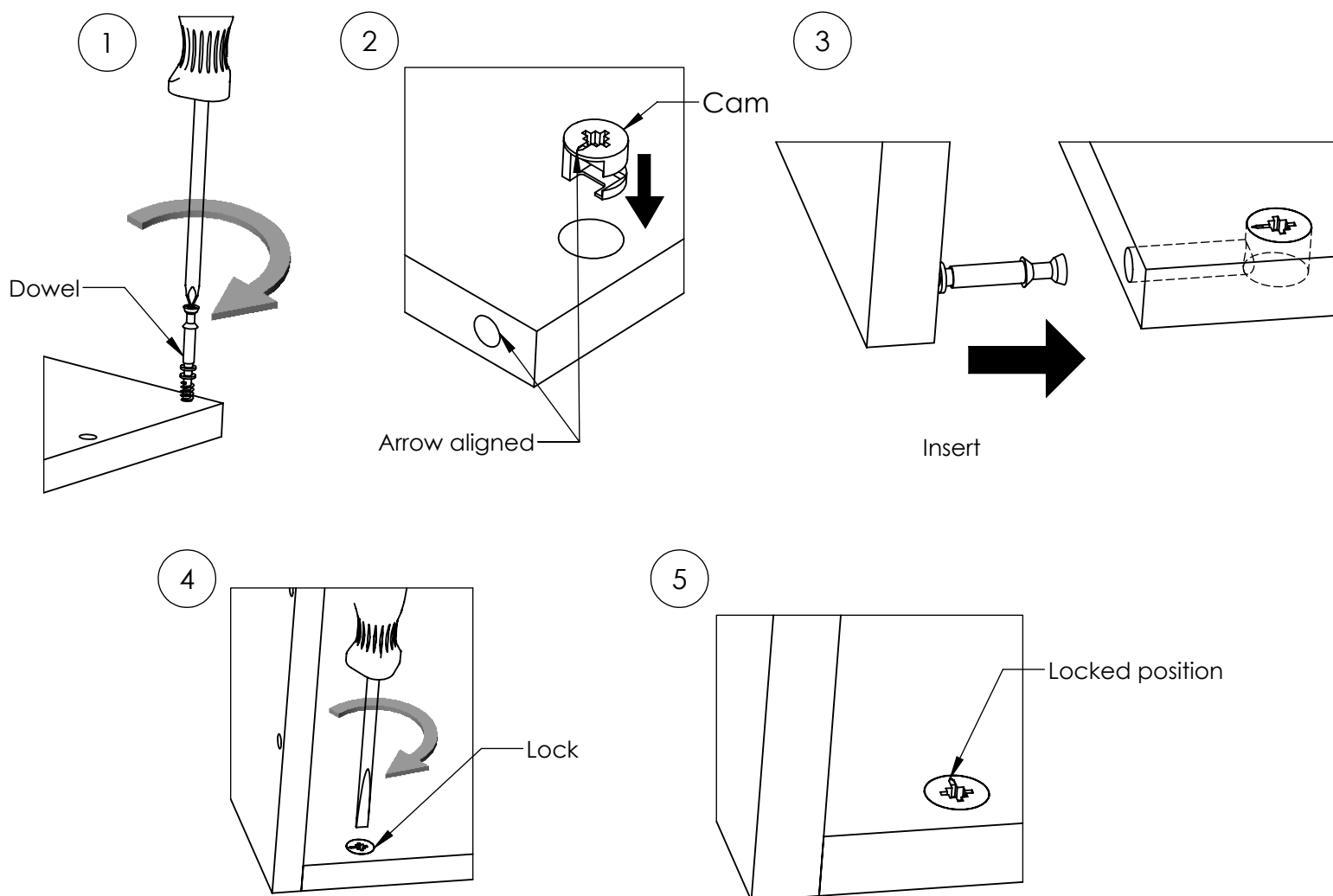
Required tools

- Hammer
- Level
- Robertson screwdriver #1, 2, 3 and flathead
- Wrench 10 mm or Socket wrench 10 mm
- Tape measure
- Drill

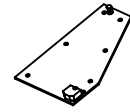
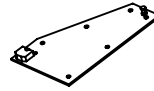


Two people are required to assemble this bed.

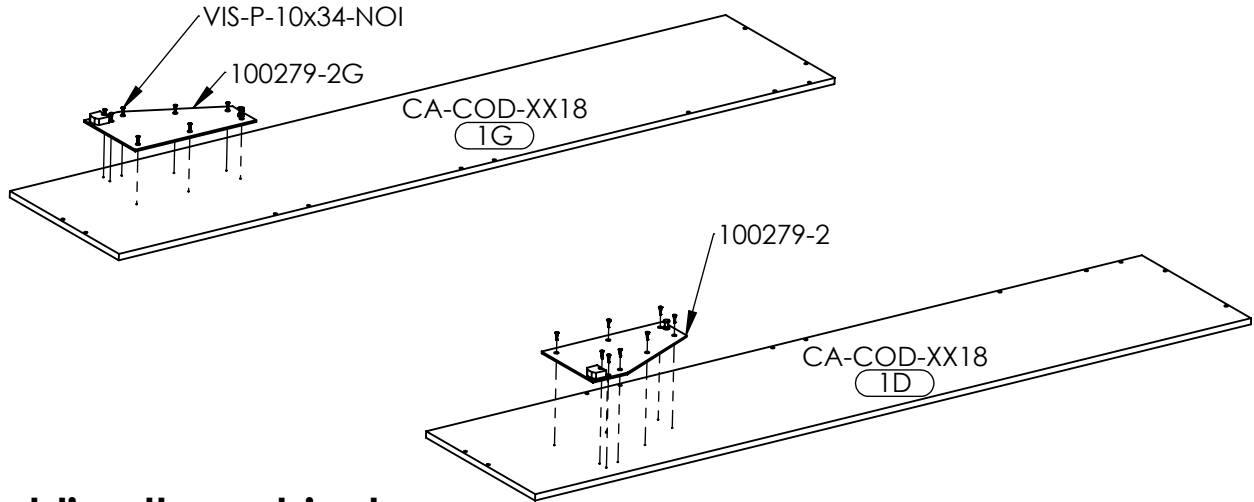
Cam and dowel assembly



1- Assembling the cabinet



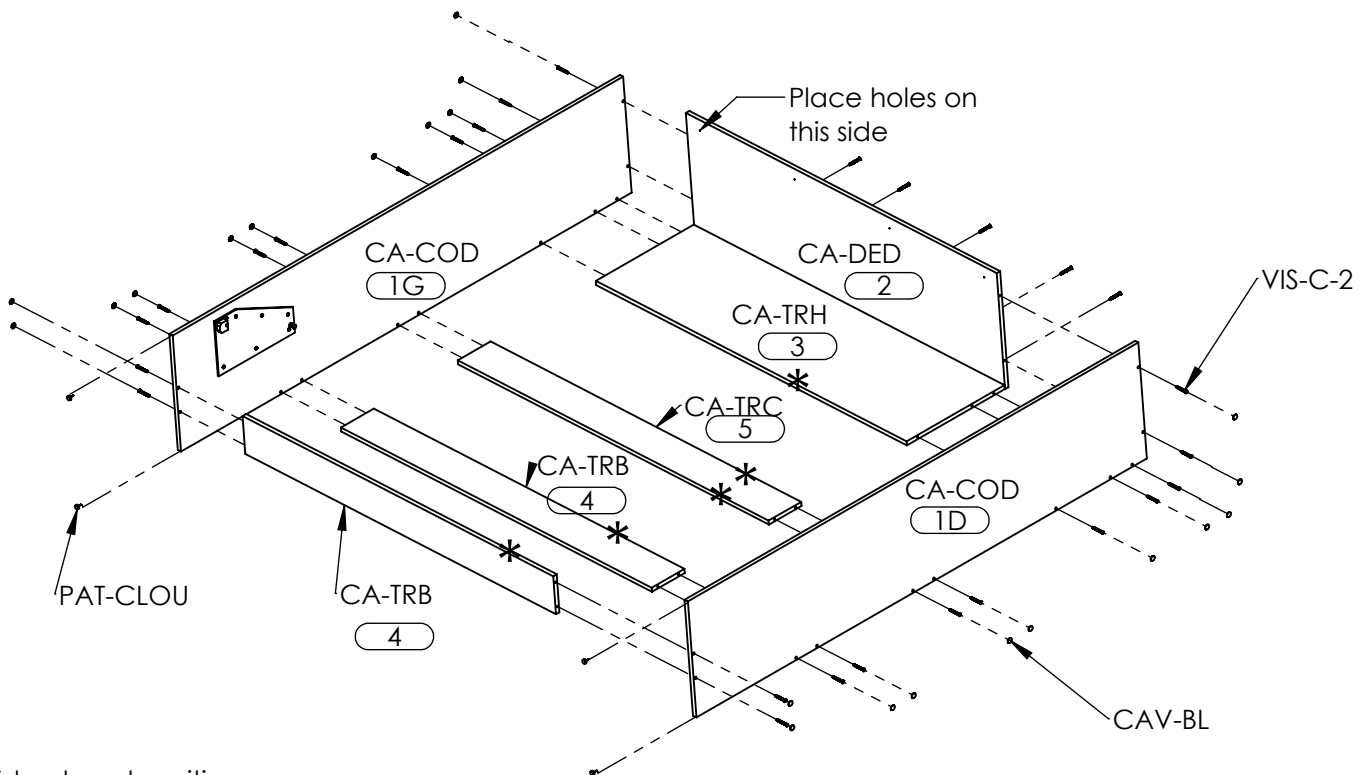
PART	VIS-P-10X34-NOI	100279-2G	100279-2
QTY	16	1	1



2- Assembling the cabinet



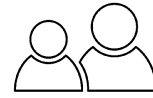
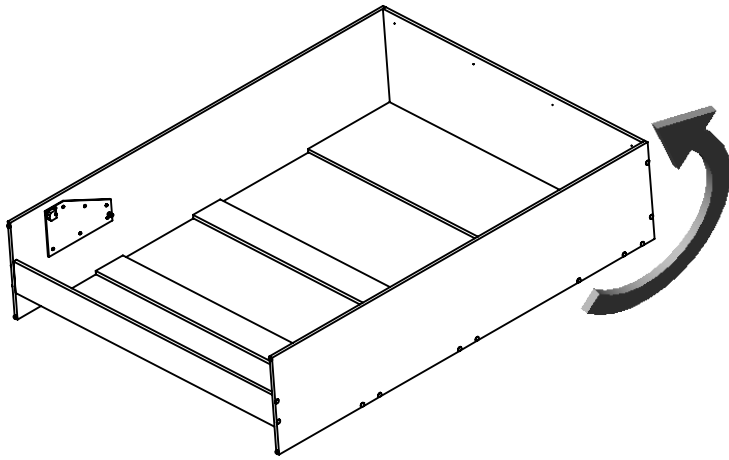
PART	VIS-C-2	CAV-BL	PAT-CLOU
QTY	27	22	2



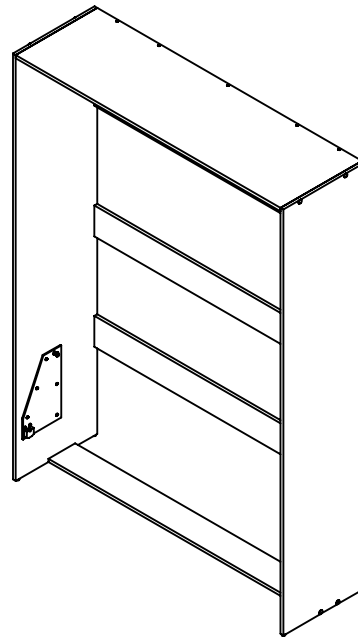
* Edge band position



3- Assembling the cabinet

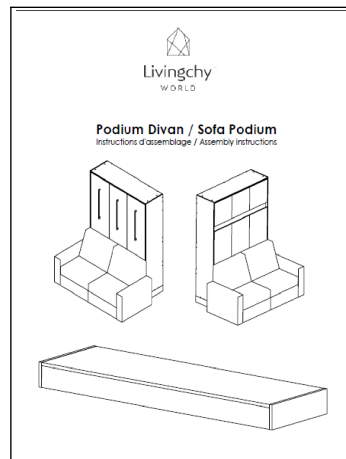
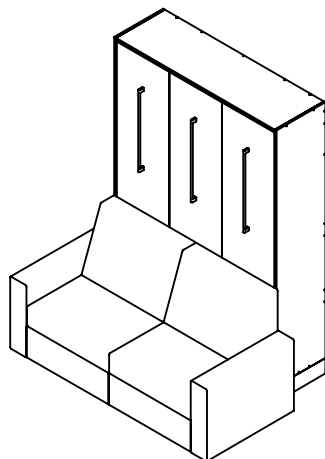


2 people required



WARNING

If you have purchased a bed with sofa please refer to the assembly instructions of the podium before continuing with the installation.



Assembly instructions of the podium



ANCHOR SELECTION AND FIXING INSTRUCTION

Read carefully before starting the installation. Keep this manual.



WARNING

If the bed is not properly secured to the wall, it may suddenly tip over and cause serious injury or death.

- For wood or masonry wall structures, a qualified person must secure the bed to the wall.
- For all other types of walls, a construction professional must secure the bed to the wall in accordance with the codes and regulations of the province, state or country where the bed is installed.
- The fixing screw must be suitable for the wall composition material where the bed will be fixed.
- The floor and wall structure entirety must be checked before installation.
- Do not open or use the bed if the cabinet moves when opened or if there are any other signs that the screws are loose or detached or if the part to which the screws are attached to the wall is damaged or cracked.
- Never remove the wall fixing screws without first removing the bed base and the pistons.
- A qualified person must have the knowledge and tools to locate the wall studs and identify the type of wall structure (wood, metal, masonry or other) and properly install the screws into the wall structure. Skills and tools required include an electronic stud finder, drill and bits, screwdriver, hammer, level, tape measure and the ability to use these tools correctly.



WARNING

If the bed is not properly secured to the wall, it may suddenly tip over and cause serious injury or death.


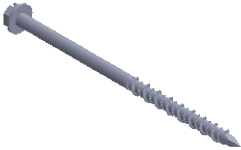
- NEVER use drywall plugs or cavity wall anchors.
- NEVER attach the wall bed directly to drywall, gypsum board, or any other wall panel.
- ALWAYS attach the wall bed to wood, metal or masonry wall structure.
- ALWAYS use the 8 mounting screws.



Selection of anchors according to the composition of the wall

The type of anchor depends on the composition of the wall. Follow the steps below to determine the composition of the wall if it is unknown:

1. Using an electronic stud finder, determine the center of the studs at the future location of the bed.
2. Drill a 3mm pilot hole in the center of a wall stud to determine the composition of the wall structure. Drill the hole so that it is hidden by the bed rail.

Composition du mur	Ancrage	Ancrage	Procédures
Wood	Wood screw #8x3" VIS-W-8X3		See fixing procedure for wood studs
Concrete	Concrete screw Ø3/16"		See fixing procedure for masonry structures



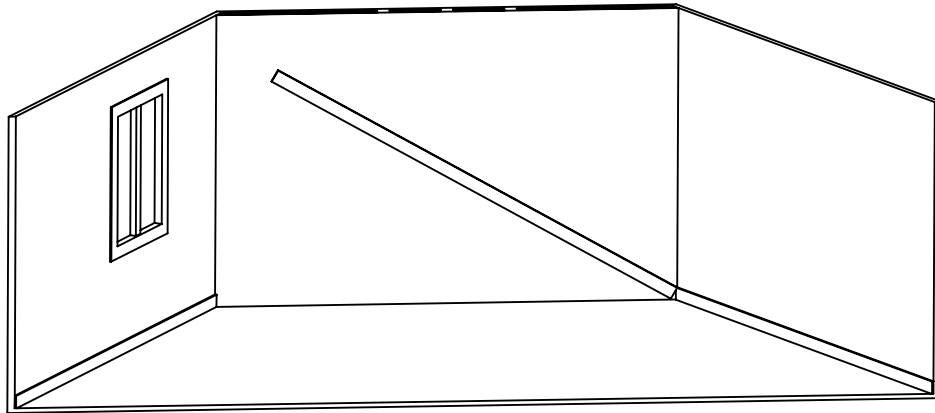
WARNING

If the bed is not properly secured to the wall, it may suddenly tip over and cause serious injury or death.

- For wood or masonry wall structures, a qualified person must secure the bed to the wall.
- For all other types of walls, a construction professional must secure the bed to the wall in accordance with the codes and regulations of the province, state or country where the bed is installed.
- The fixing screw must be suitable for the wall composition material where the bed will be fixed.
- The floor and wall structure entirety must be checked before installation.
- Do not open or use the bed if the cabinet moves when opened or if there are any other signs that the screws are loose or detached or if the part to which the screws are attached to the wall is damaged or cracked.
- Never remove the wall fixing screws without first removing the bed base and the pistons.
- A qualified person must have the knowledge and tools to locate the wall studs and identify the type of wall structure (wood, metal, masonry or other) and properly install the screws into the wall structure. Skills and tools required include an electronic stud finder, drill and bits, screwdriver, hammer, level, tape measure and the ability to use these tools correctly.

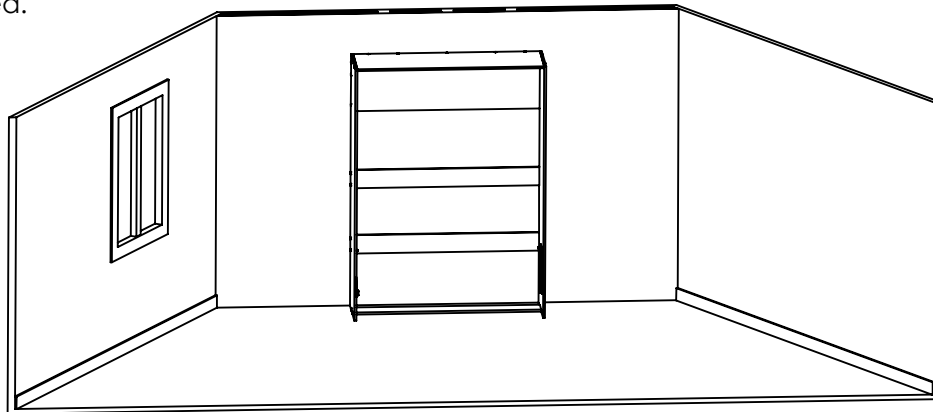
4-Installing cabinet on wall

4a- Remove the moulding from the wall where the bed will be installed.

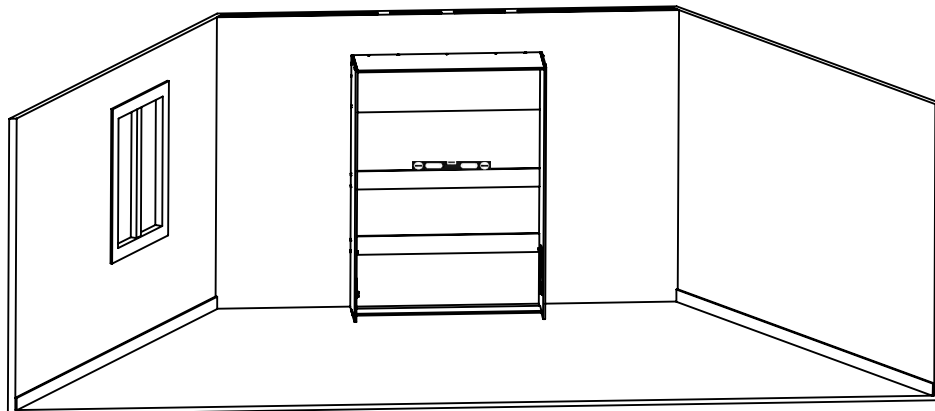


4b- Place the bed at the desired location.

*Note that the bed includes two USB outlets, so a nearby power outlet will be necessary. If the power outlet is not behind the bed, a 5/8" to 3/4" diameter hole can be drilled in the side of the cabinet for the passage of the wire if required.



4c- Place the level on the cabinet and correct the vertical and horizontal as needed. Ensure that the cabinet is level in both directions otherwise the closure of the bed will be compromised.



5- Fixing recommendations

For this step, refer to the procedure corresponding to the composition of the wall on which the bed will be fixed.

Wood studs

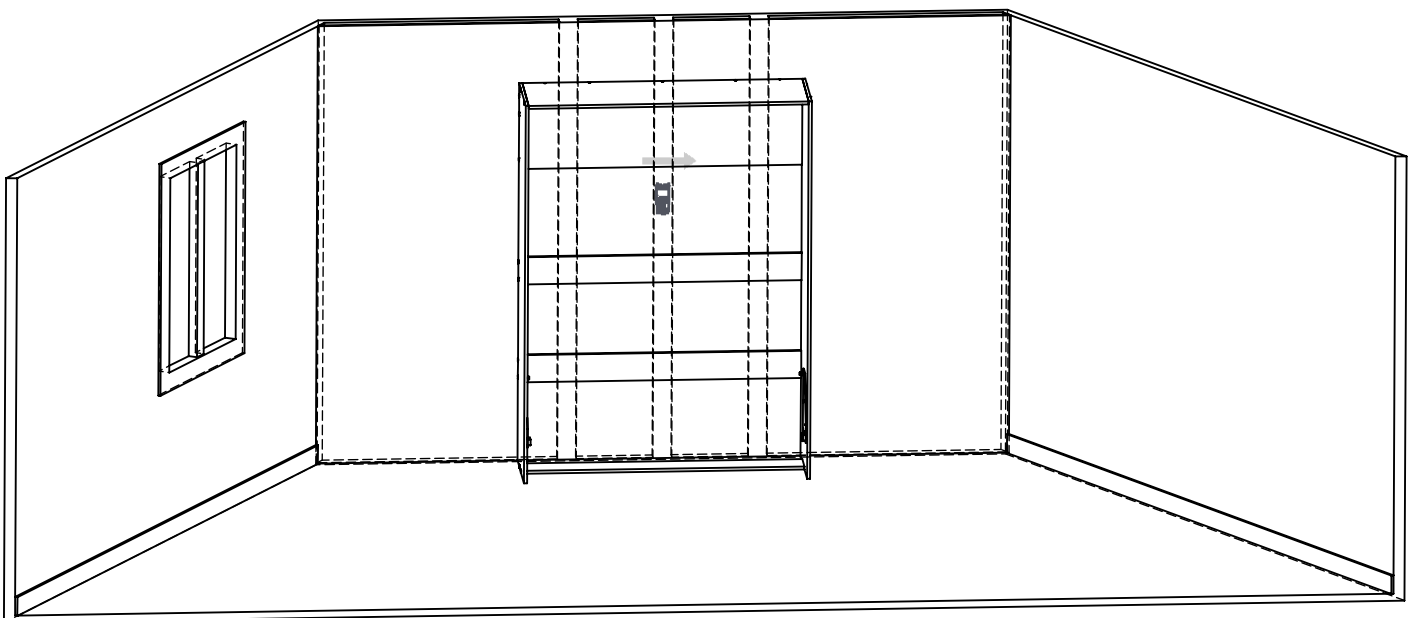


HARDWARE	VIS-W-8X3
QTY	6



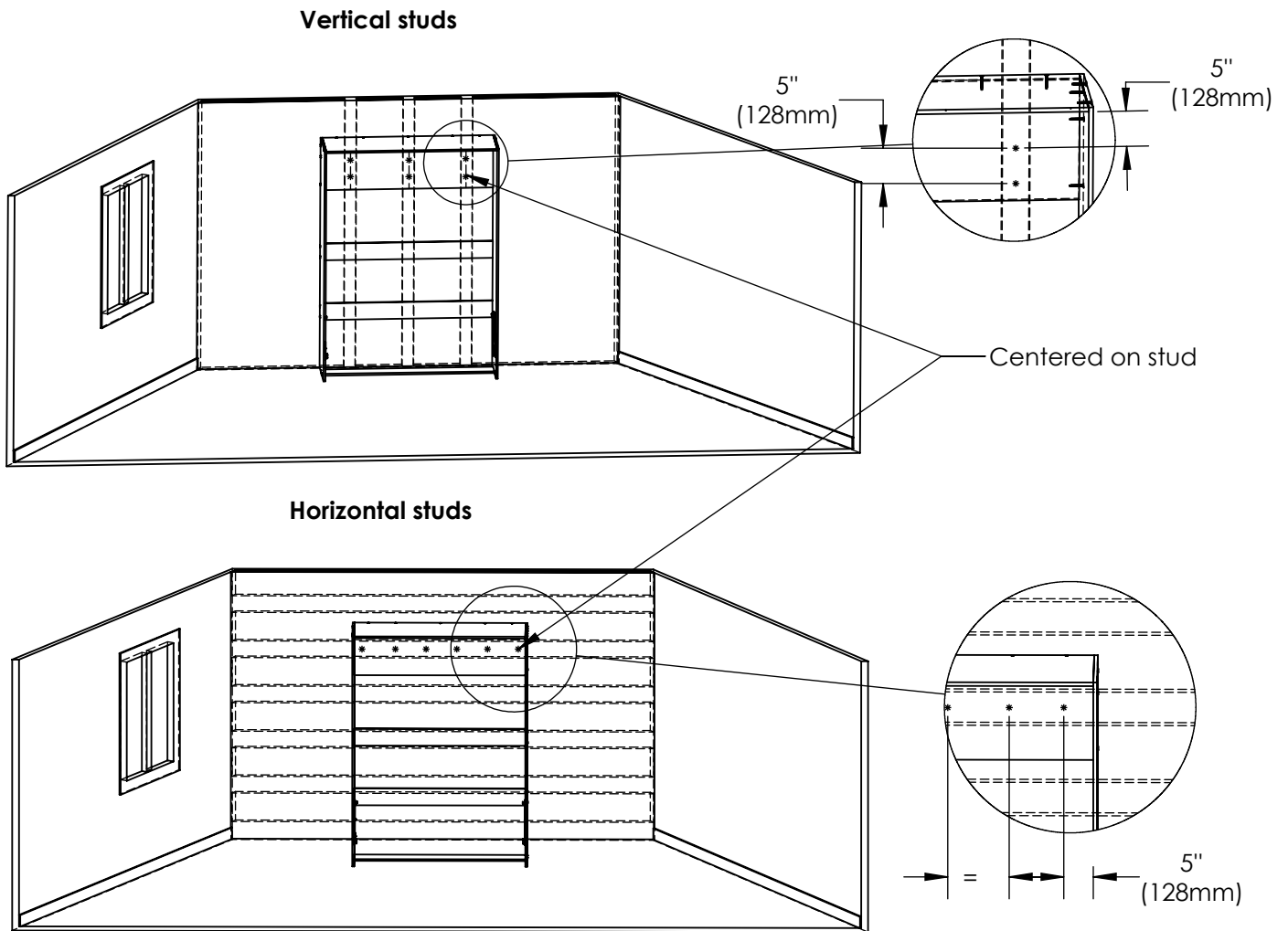
REQUIRED TOOLS	DRILL	STUD FINDER
----------------	-------	-------------

5a (Wood) - Using the stud finder, locate and mark the studs. The studs can be horizontal or vertical.

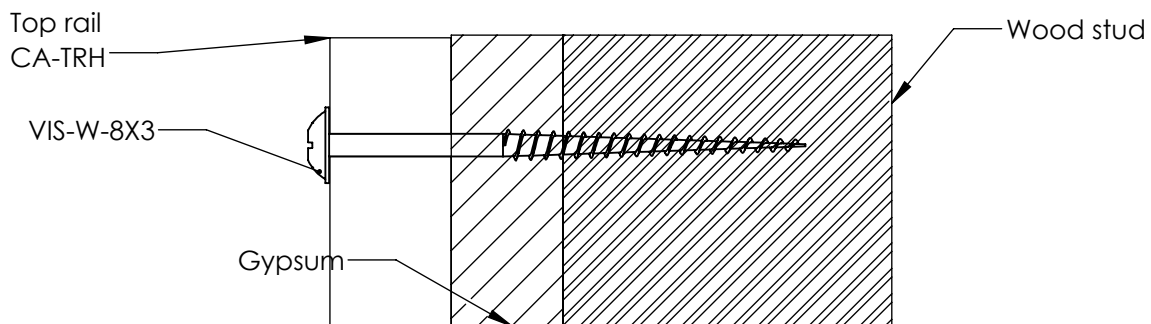


Wood studs

5b (Wood) - Mark the location of the screws in the **center** of the studs according to the location below.



5c (Wood) -Screw the 6 screws in the center of the studs according to the location determined in the previous step until they reach the wall. The screw must be a minimum of 1 1/4" deep in the wood stud. Use an adjustable tension drill to avoid overdriving. **Never use a hammer drill. Overdriving the rail to the wall may damage the part and compromise its structural integrity. Breaking the rail can cause the bed to suddenly tip over, resulting in serious injury or death.**



5- Fixing recommendations

Masonry and concrete

**Depending on the composition and type of wall, your professional installer will need to validate and select more appropriate fixings if required.*



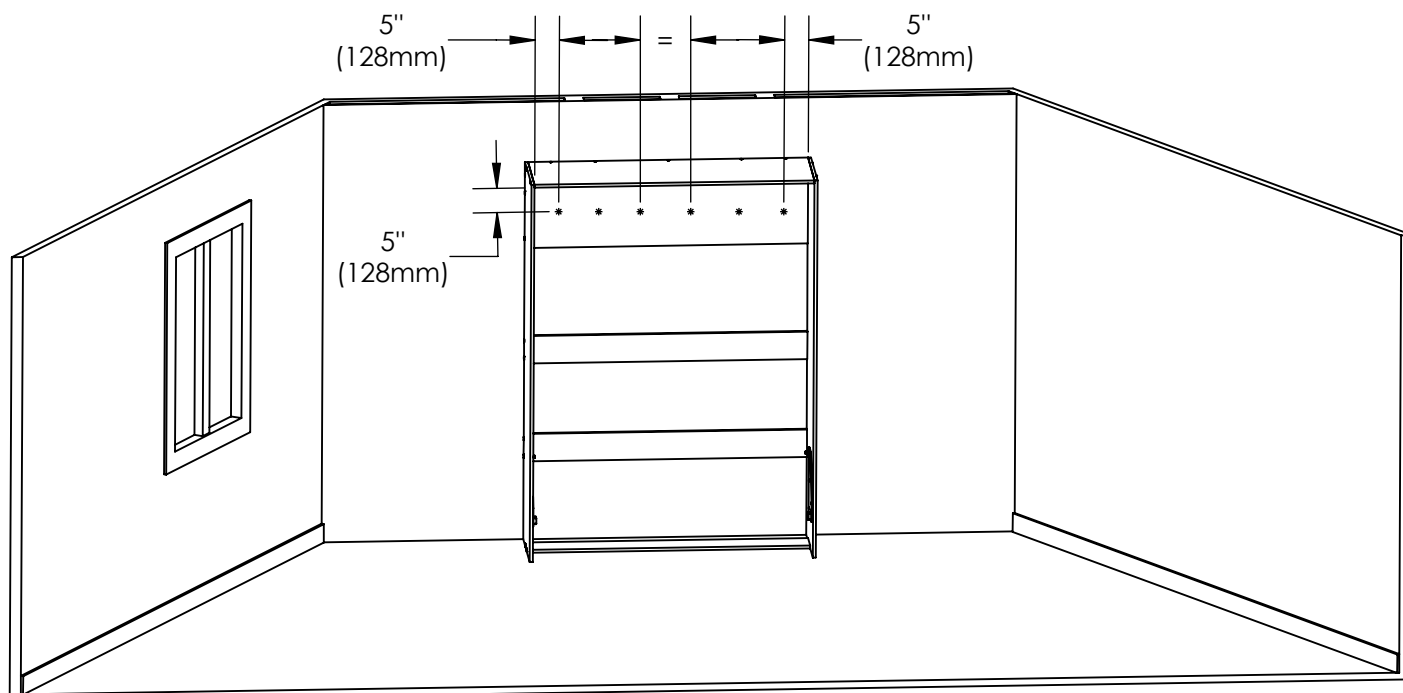
NOT included

HARDWARE	Concrete screw $\phi 3/16"$ x suitable length
----------	-----------------------------------------------



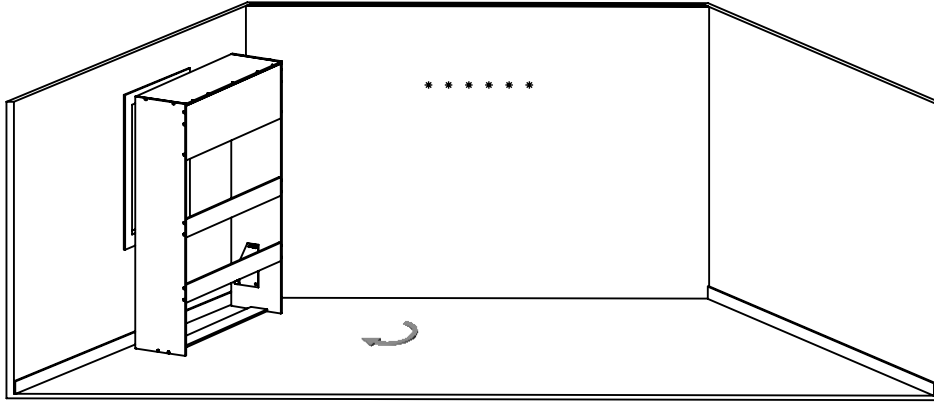
REQUIRED TOOLS	Drill	Concrete bit $\phi 5/32"$	Wood bit $\phi 1/8"$
----------------	-------	---------------------------	----------------------

5a (Masonry) - Using the drill and wood bit $\phi 1/8"$, drill the 6 pre-holes on the CA-TRH top rail. Mark the location of the holes on the masonry.



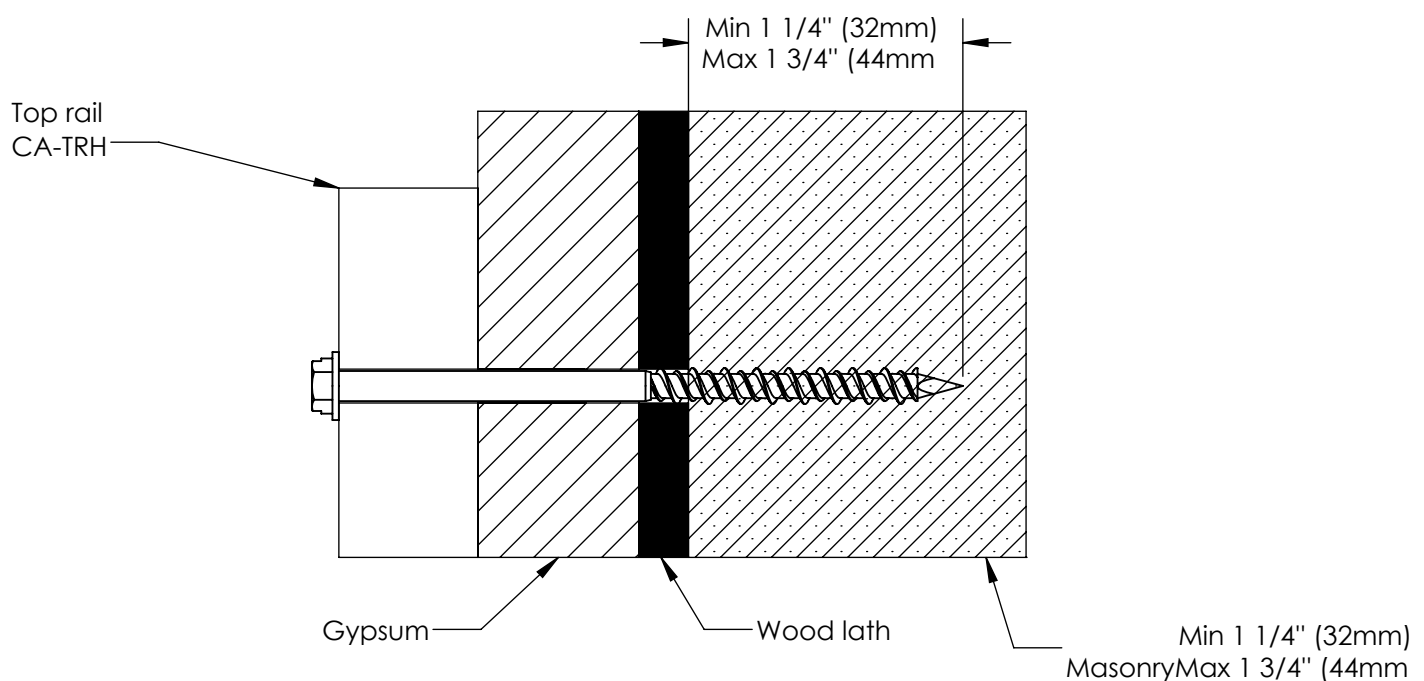
Masonry or concrete

5b- (Masonry) - Move the cabinet to have access to the hole marking.



5c- (Masonry) - Drill through the gypsum and masonry at the 6 locations marked in the previous step using a hammer drill and a 5/32" diameter masonry bit.

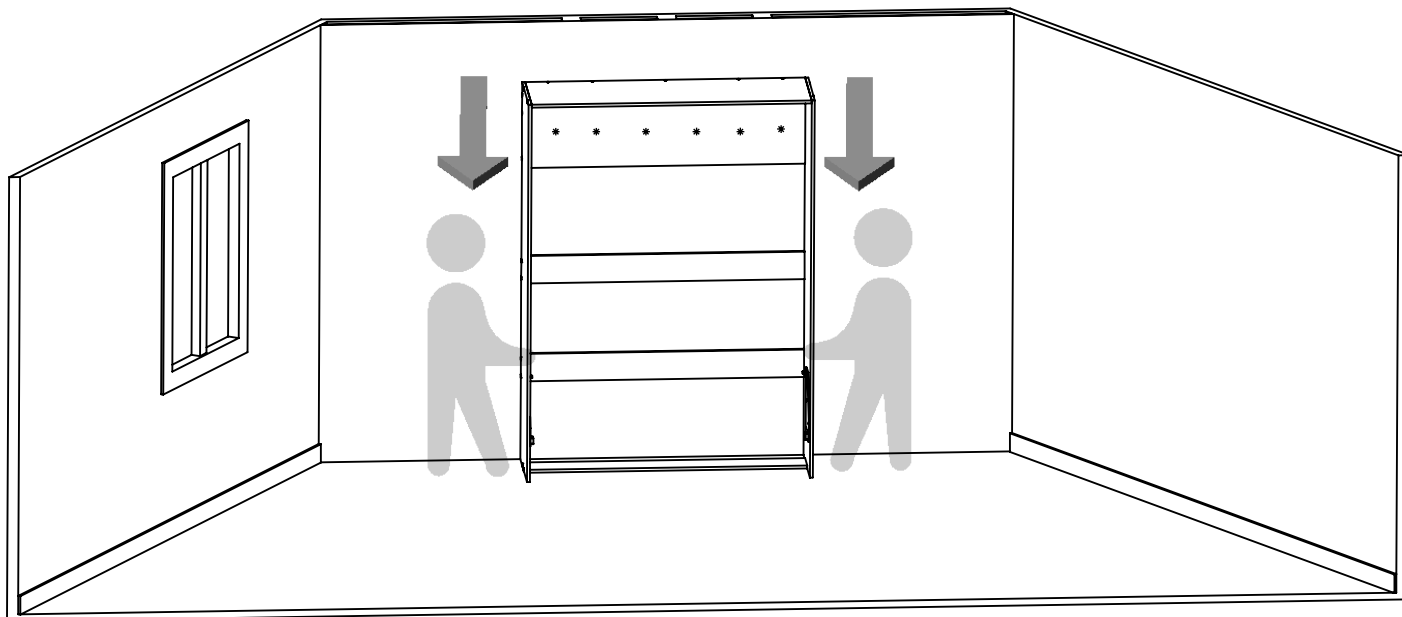
5d- (Masonry) - Replace the cabinet in its location. Screw the 3/16" x suitable length screws through the holes in the CA-TRH top rail to the wall. Screw until the cabinet is against the wall. Use an adjustable tension drill to avoid overdriving. **Overdriving the rail to the wall may damage the part and compromise its structural integrity. Breaking the rail can cause the bed to suddenly tip over, resulting in serious injury or death.**



5- Fixing recommendation

Pull test

**Perform the next step to ensure that the bed cabinet is securely anchored to the wall.*

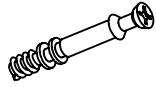


On either side of the cabinet, pull simultaneously at the sides of the cabinet in an attempt to pull it off the wall.

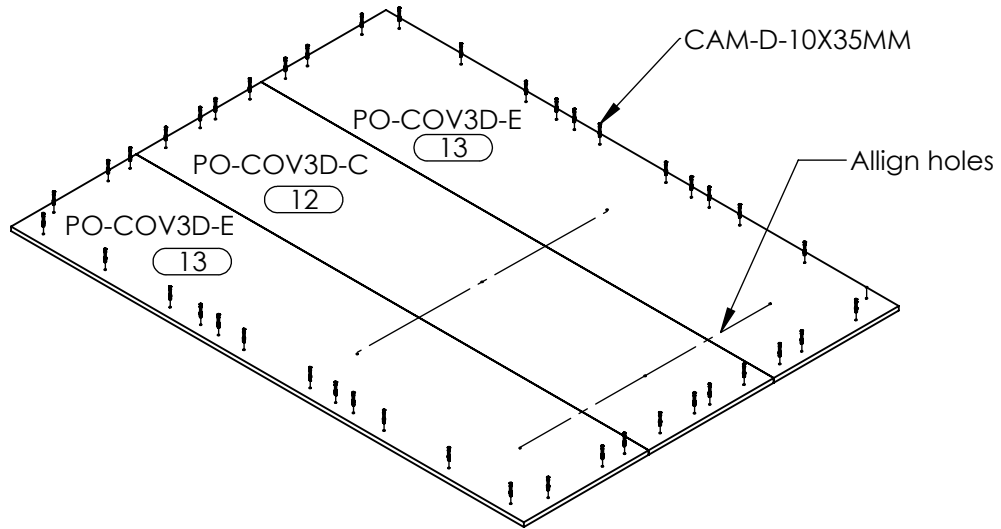
If the cabinet remains firmly fixed to the wall: Continue the installation.

If the cabinet comes off the wall: STOP INSTALLATION IMMEDIATELY. Please contact the *customer's service* at **1-833-296-3832** for the procedure to follow.

6- Assembling hardware on doors



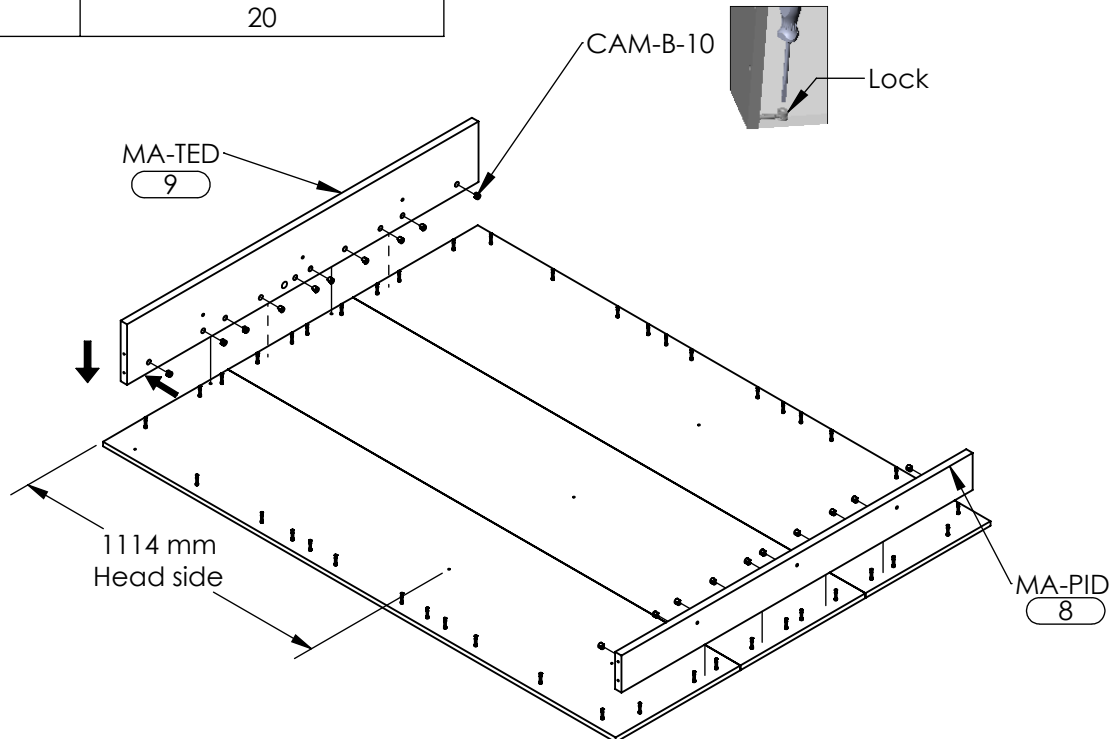
PART	CAM-D-10x35MM
QTY	44



7- Assembling head and foot boards



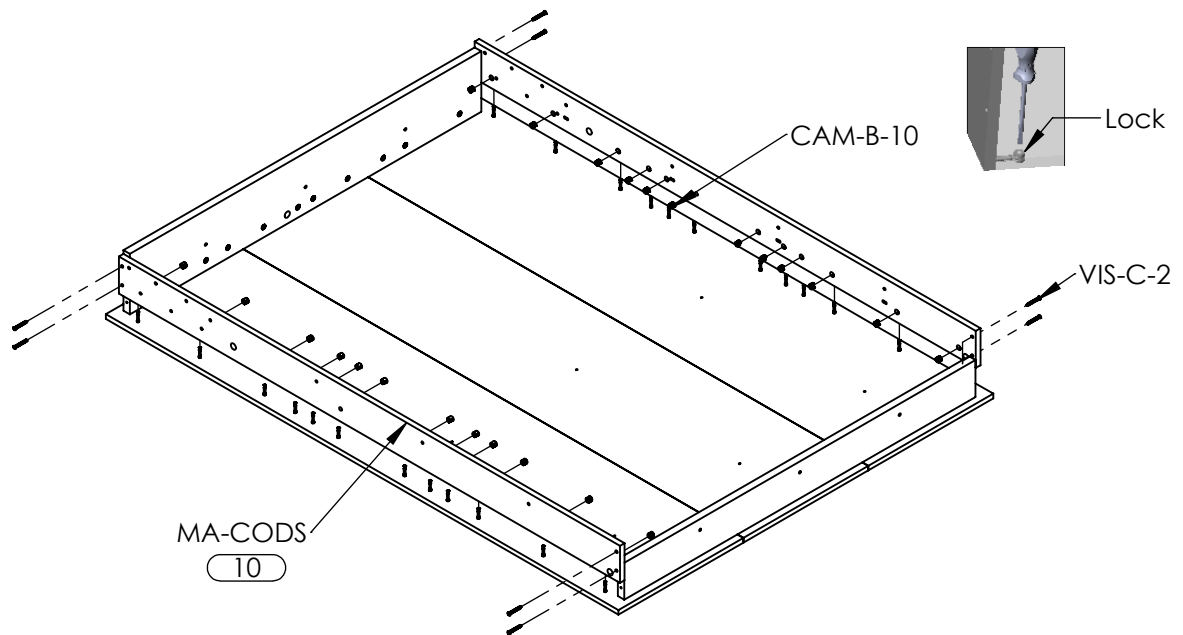
PART	CAM-B-10
QTY	20



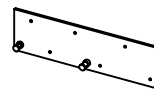
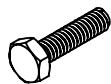
8- Assembling bed side



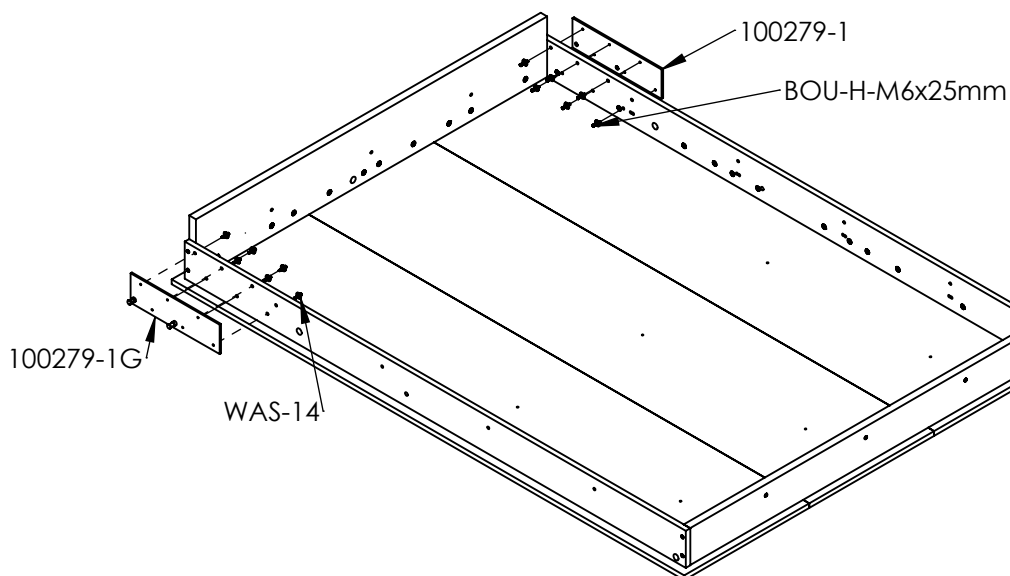
PART	CAM-B-10	VIS-C-2
QTY	24	8



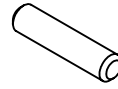
9- Assembling mechanism plates



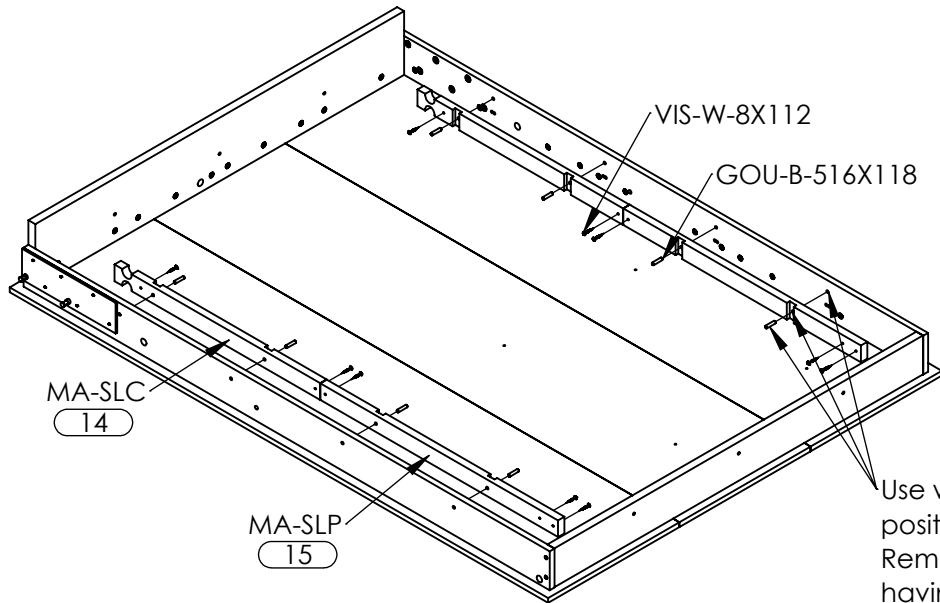
PART	BOU-H-M6X25mm	WAS-14	100279-1/G
QTY	12	12	1G/1



10- Fixing supports on bed side



PART	VIS-W-8X112	GOU-B-516X118
QTY	10	8

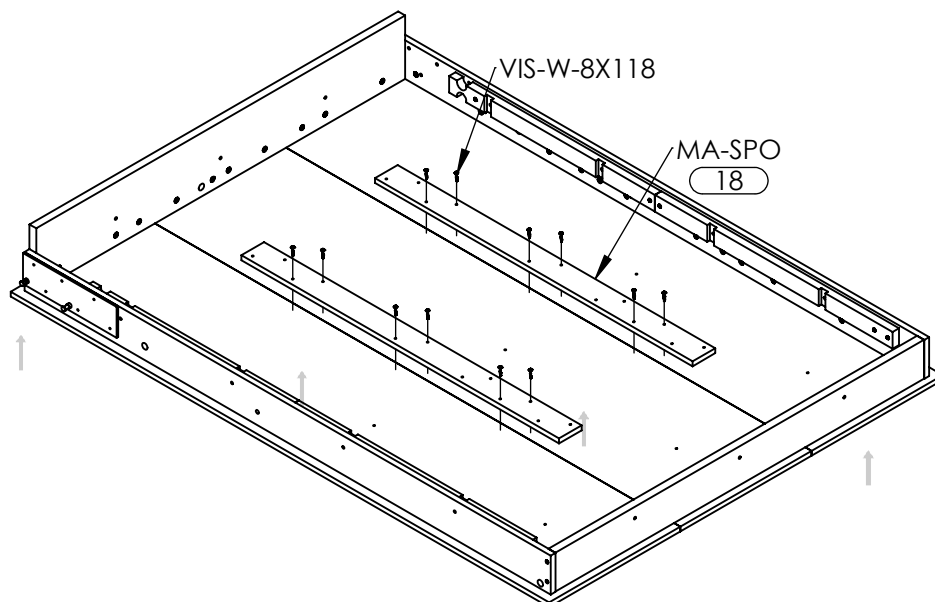


Use wooden dowels to hold and position the support brackets. Remove the dowels after having fixed the support brackets with the screws.

11- Fixing doors supports



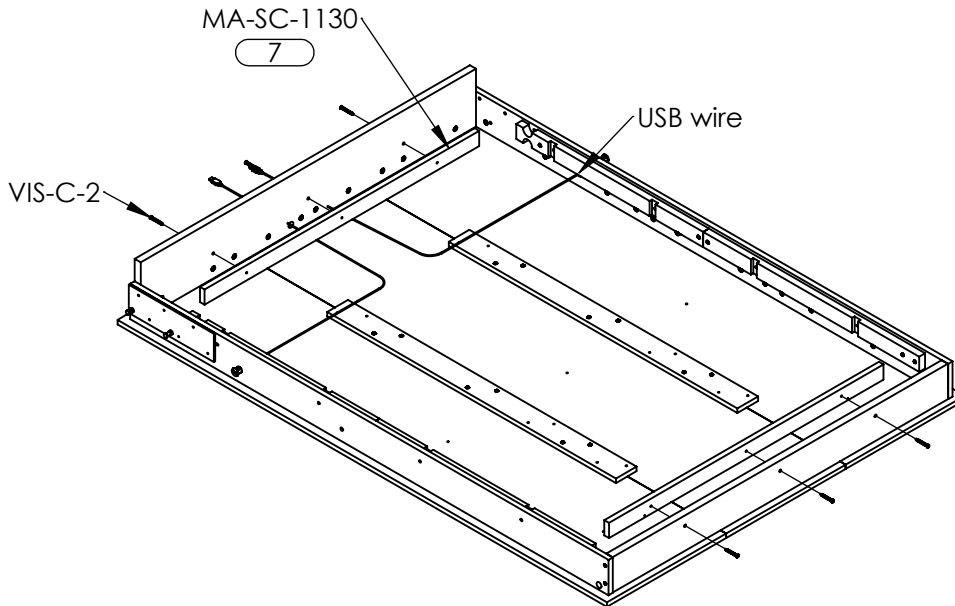
PART	VIS-W-8X118
QTY	12



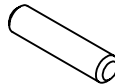
12- Assembling supports and USB wires



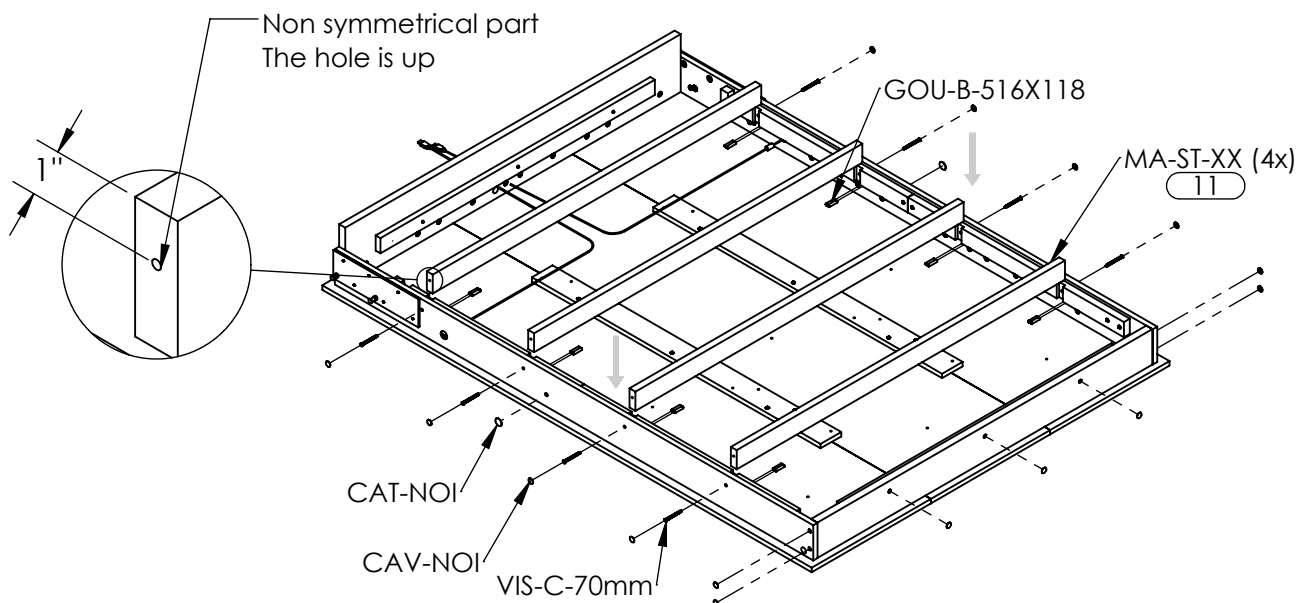
PART	VIS-C-2	USB wire
QTY	6	2



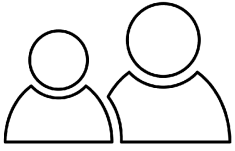
13- Assembling crosspieces



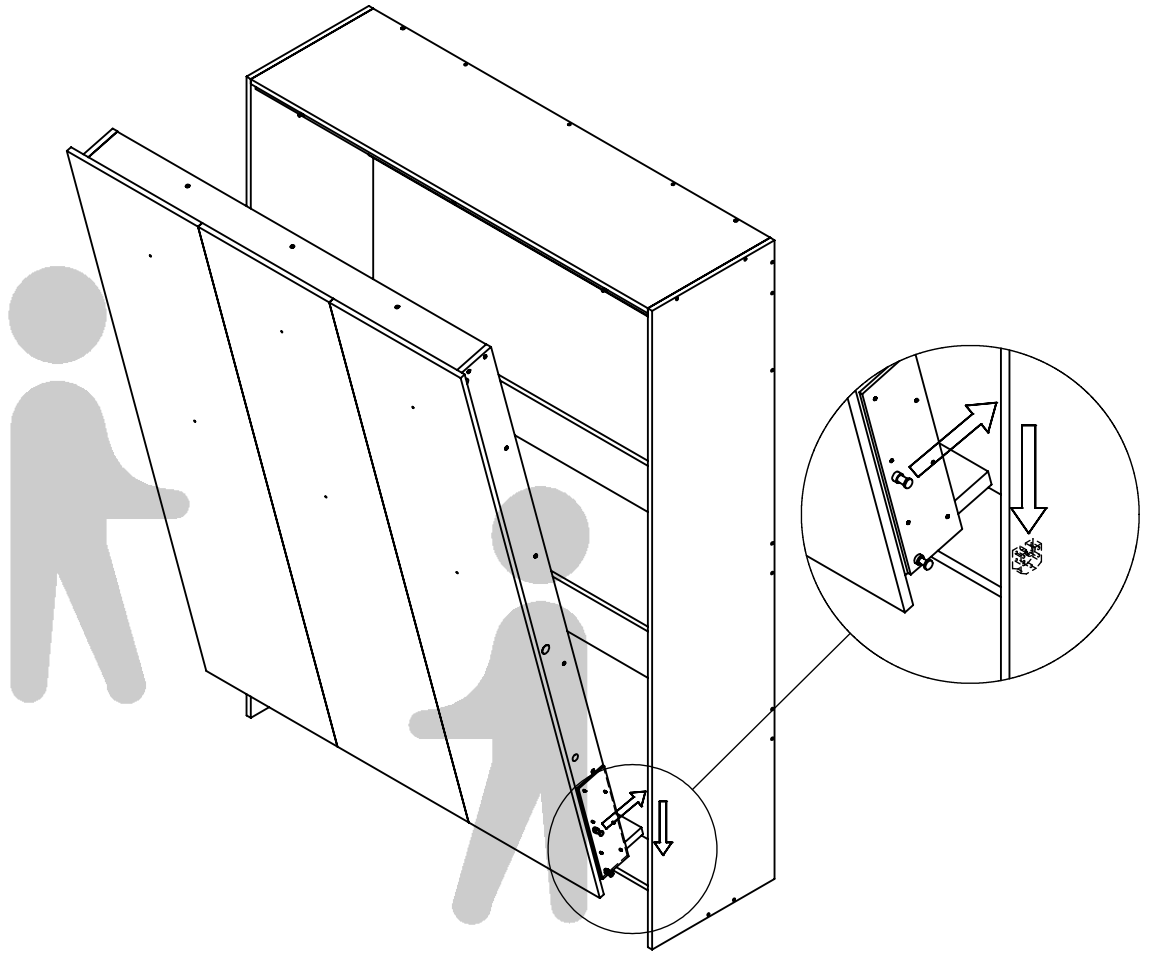
PART	VIS-C-70MM	GOU-B-516X118	CAV-NOI	CAT-NOI
QTY	8	16	15	2



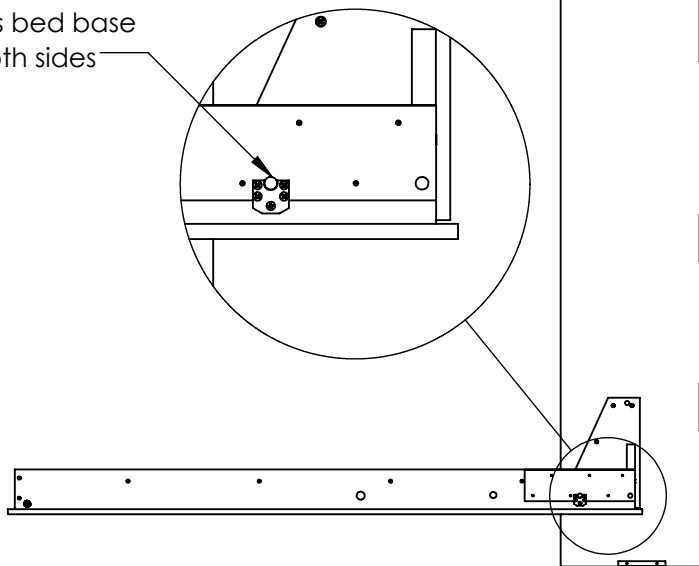
14- Installing bed base on cabinet



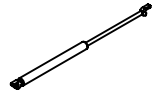
Warning
Heavy load



Engage this bed base pivot on both sides

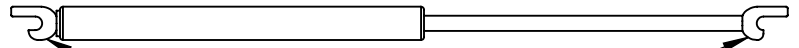


15- Installing and engaging pistons



PART	PIS-PXXX
QTY	2

***Be careful there is grease on piston**

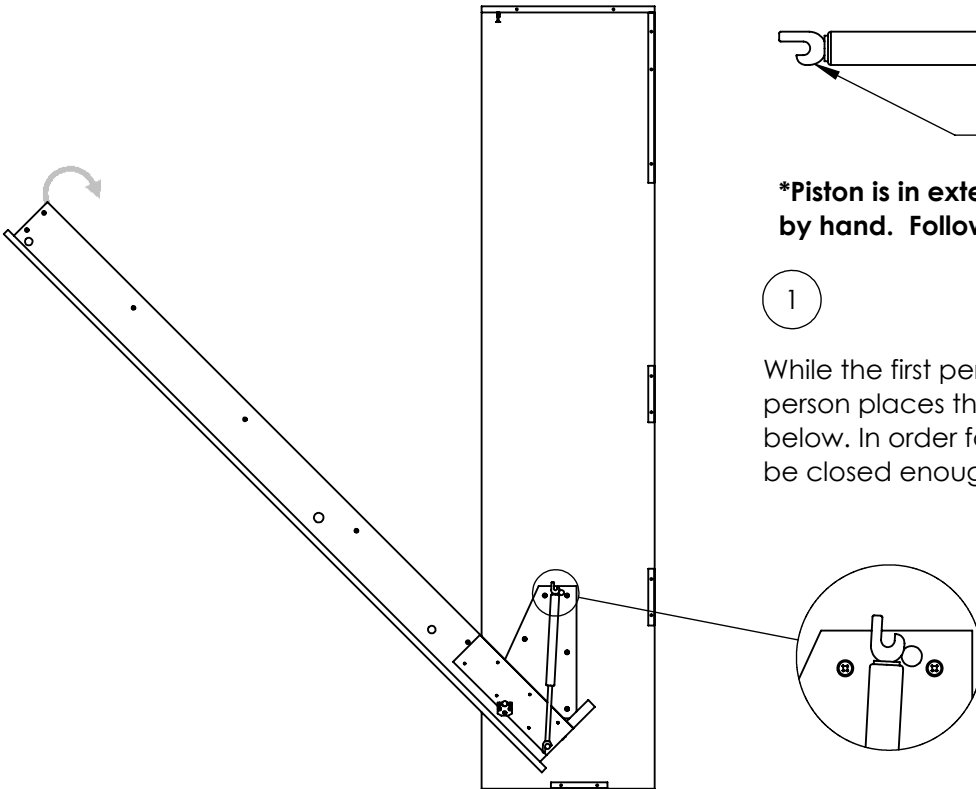


Fork must be aligned

***Piston is in extension position and cannot be compressed by hand. Follow the next steps for installation.**

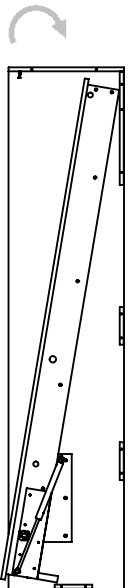
1

While the first person holds the bed half closed, the second person places the pistons on each side of the bed as shown below. In order for the pistons to stay in place, the bed must be closed enough.



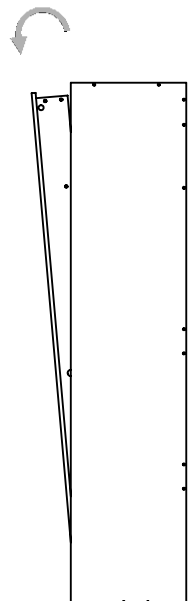
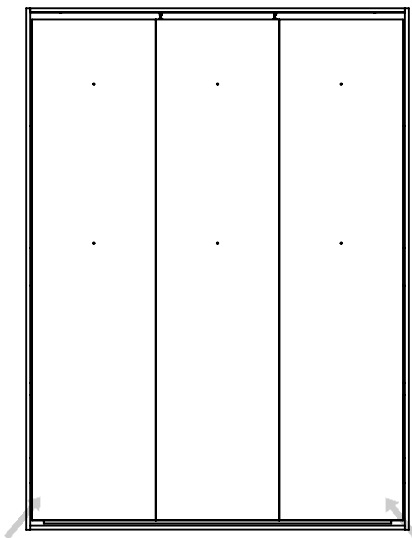
2

Close the bed completely to engage the pistons



3

Each side of the bed, apply pressure with your foot on the lower part of the bed. The bed will open enough so that you have a grip to open it completely with your hands.



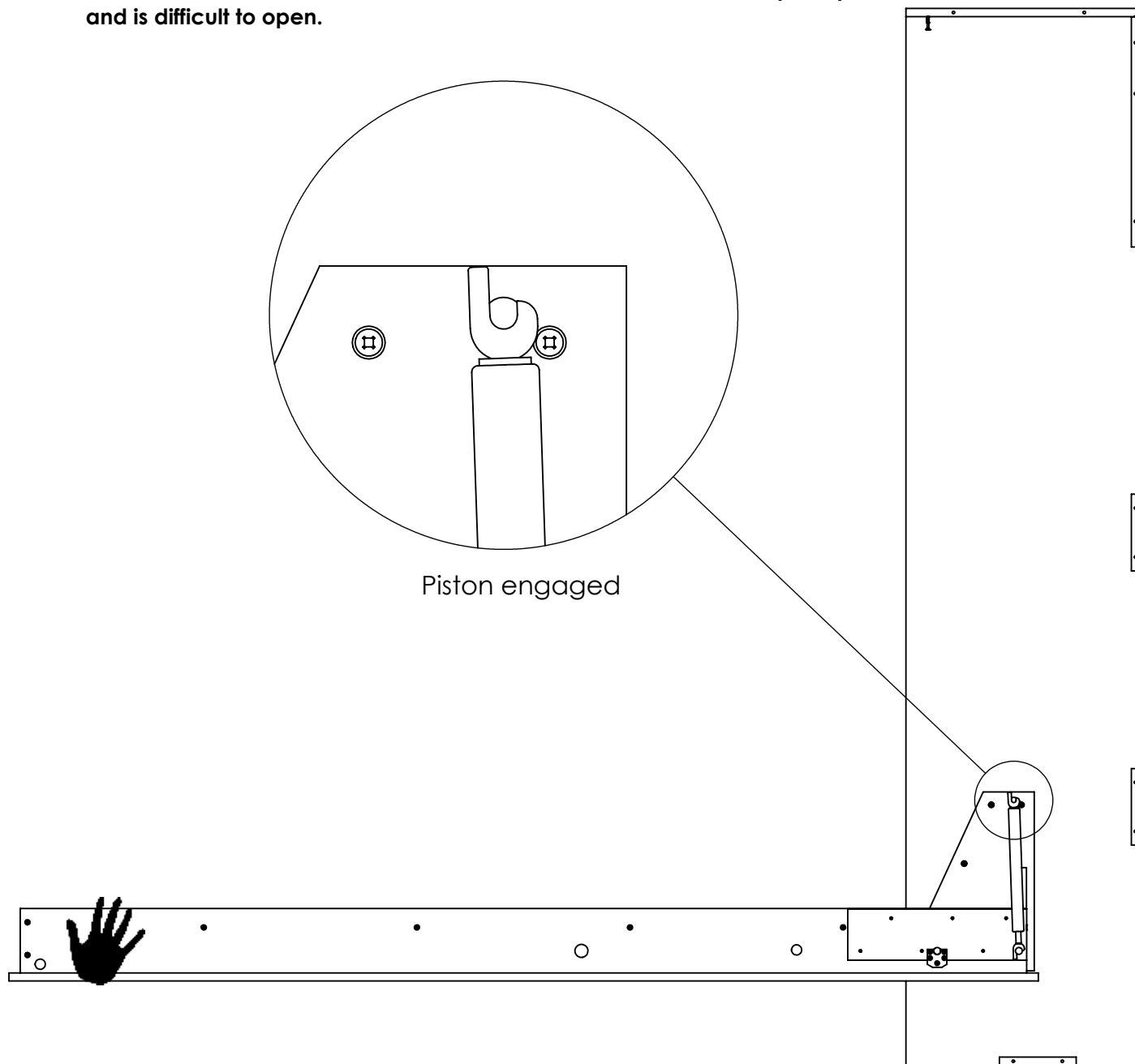
15- Installing and engaging pistons (Continued)

4

Re-open the bed and make sure the pistons are engaged.

*The bed will need to be maintained by someone for the next few steps as it will rise on its own.

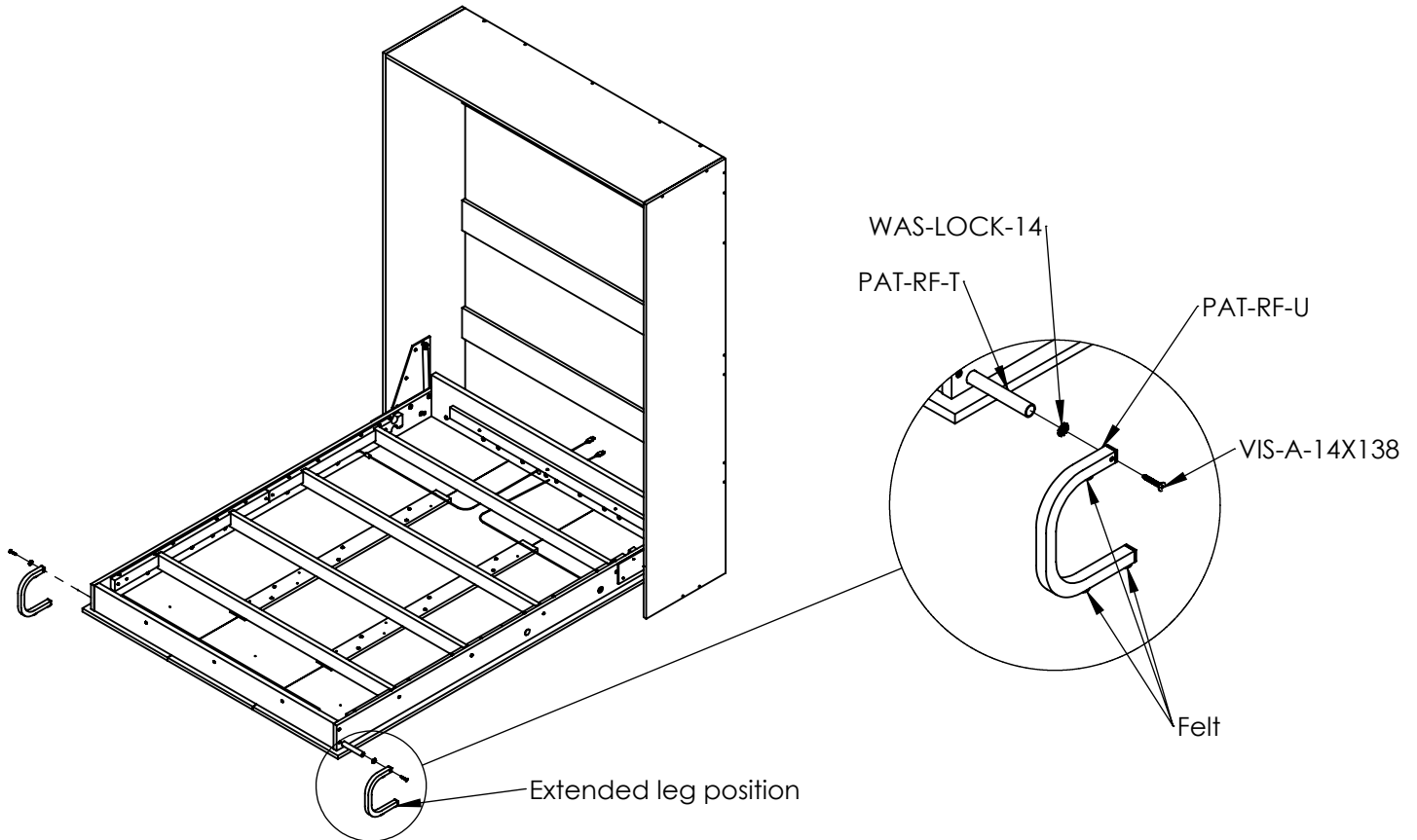
***Without the mattress, it is normal that the bed does not close completely and is difficult to open.**



16- Installing Reflex legs



PART	Felt	PAT-RF-U	PAT-RF-T	WAS-LOCK-14	VIS-A-14X138
QTY	6	2	1	2	2



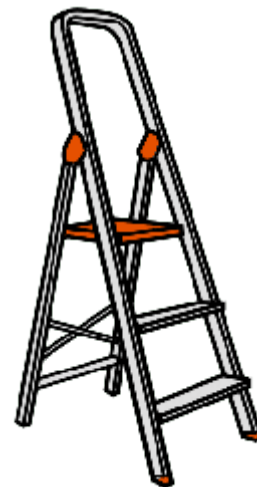
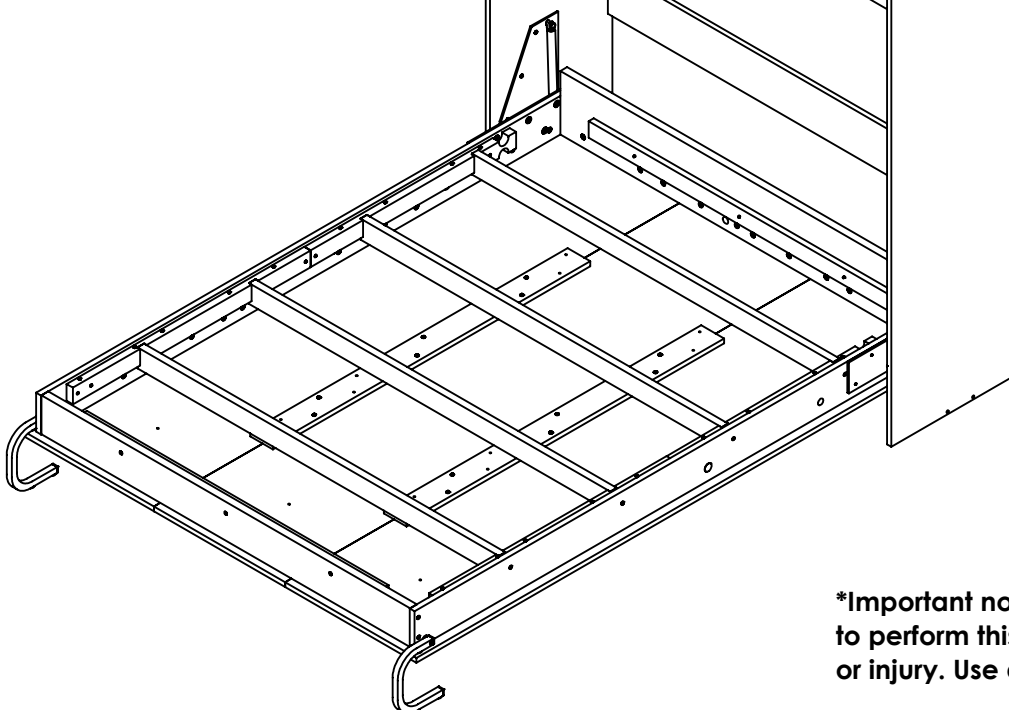
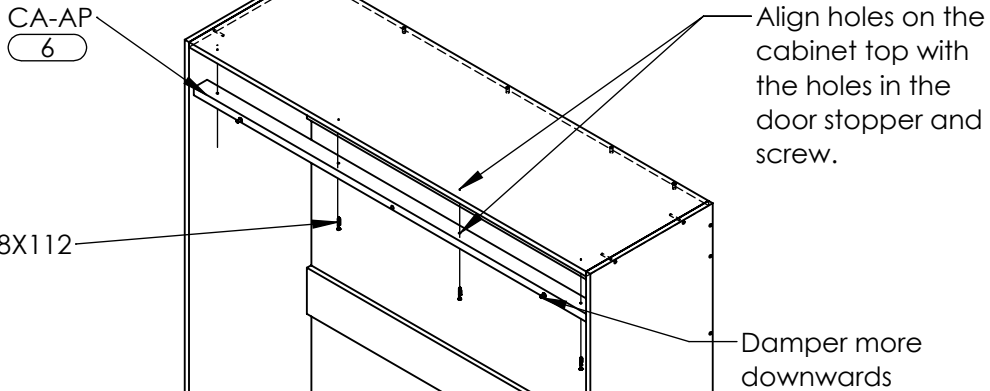
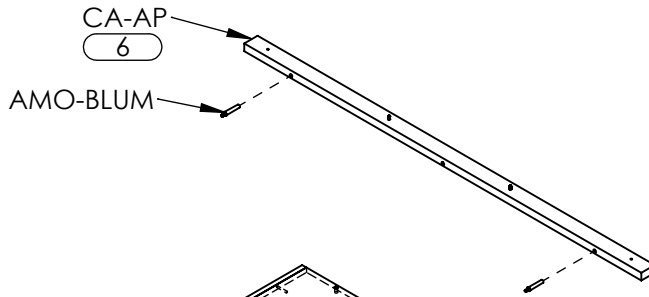
WARNING

- Use an Allen key to tighten the screws on the legs. The screws must be tightened by hand. Using tools to over-tighten the screws could damage the parts and may affect the proper functioning of the leg.
- **ALWAYS** deploy the leg when opening the bed. **NEVER** climb on a bed with an unfolded leg as this could damage the bed, floor or cause injury.

17- Installing door stopper



PART	VIS-P-8X112	AMO-BLUM
QTY	4	3



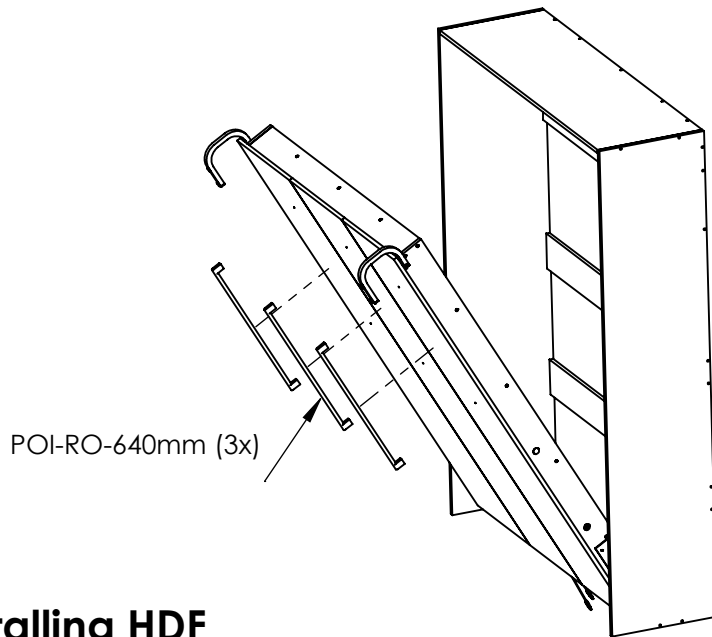
***Important note: Do not climb on the bed to perform this step at the risk of damage or injury. Use a step ladder..**



18- Installing handles



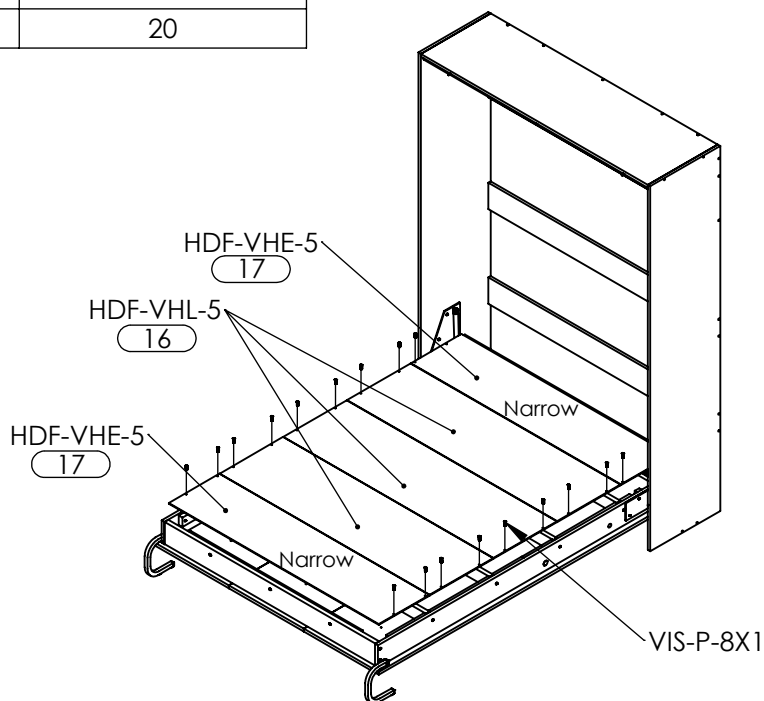
PART	POI-RO-640mm	VIS-R-3X22
QTY	3	6



19- Installing HDF



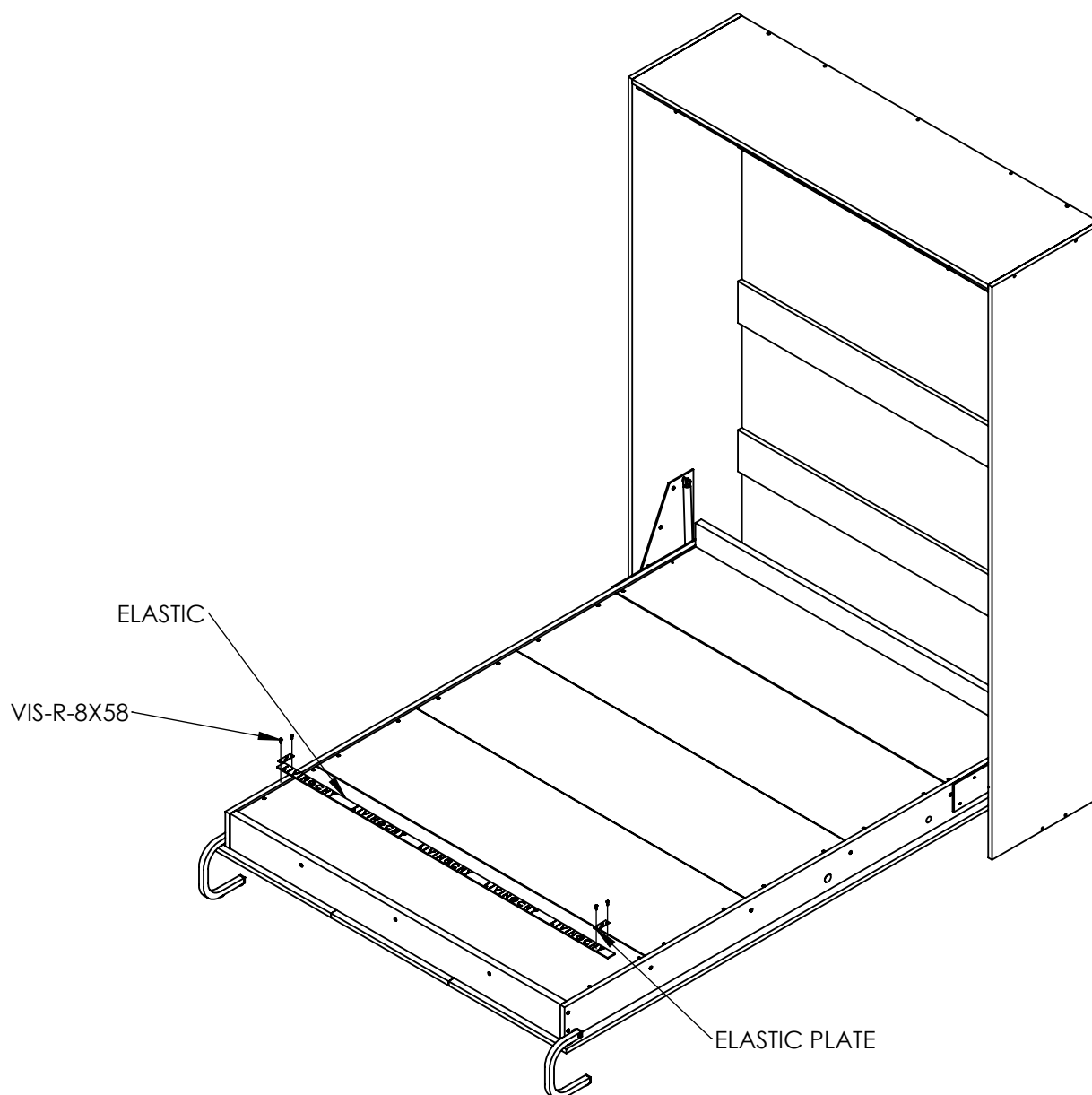
PART	VIS-P-8X1
QTY	20



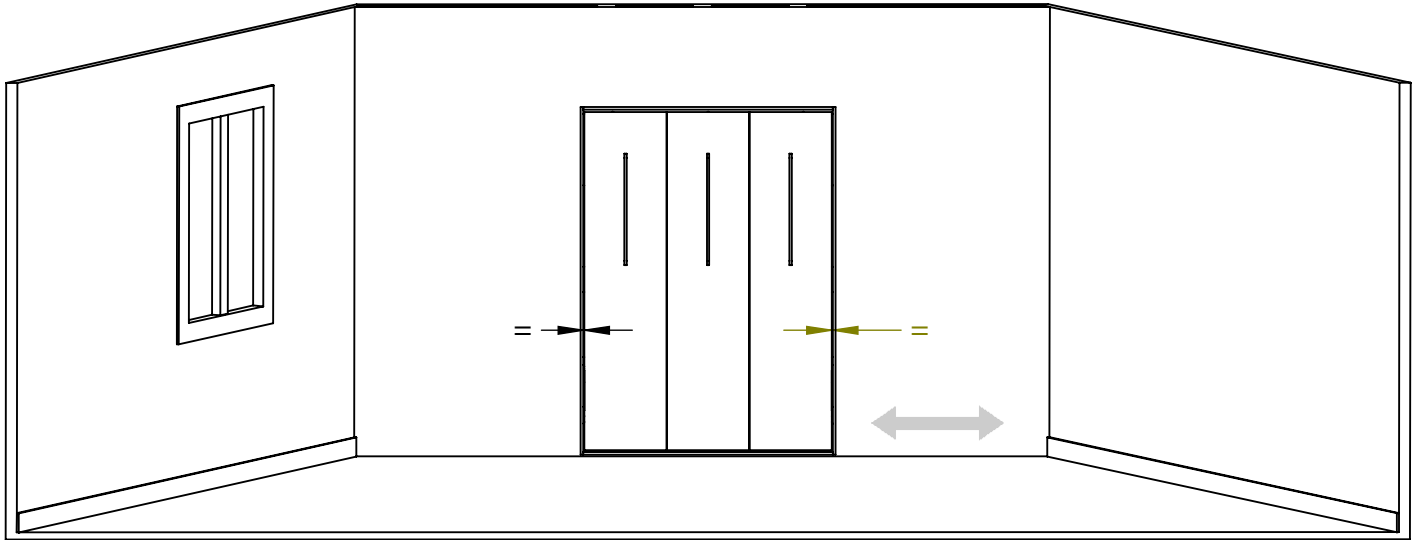
20- Installing the elastic



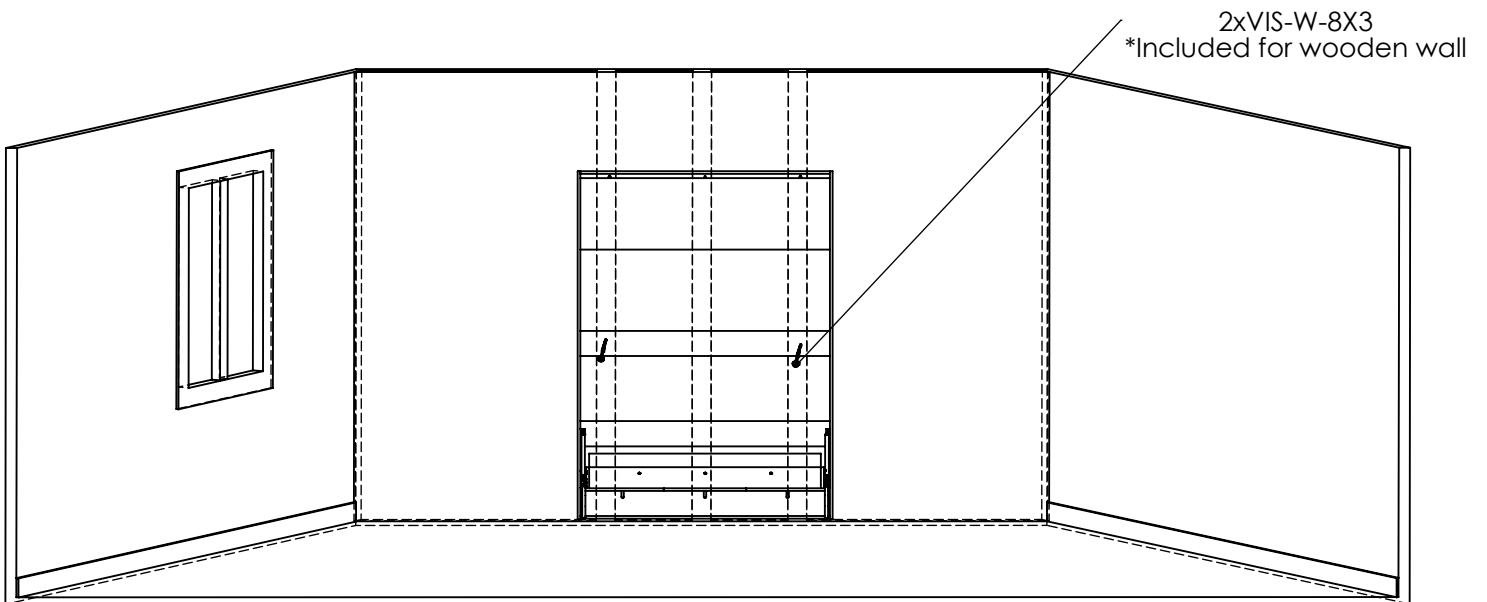
PART	ELASTIC	ELASTIC PLATE	VIS-R-8X58
QTY	1	2	4



23- Adjustment



With the bed closed, move the bottom of the cabinet sideways to perfectly align the doors with the cabinet. Ensure that the opening between the door and the cabinet is the same for each side.



With the bed open, secure the center of the cabinet with a minimum of two screws in the center crosspiece of the cabinet. Make sure it is secured in the wall studs. Use the proper anchor for the type of wall.



WARNING

RISK OF DEATH OR SERIOUS INJURY

- NEVER close the bed when someone is on the mattress to avoid the risk of suffocation.
- NEVER jump on the bed or allow a child to play on the bed alone.
- Stop using the bed if the mechanism or bed frame are damaged. Do not attempt to repair it yourself; professional instructions are required. Using a damaged bed can cause problems with opening, closing or unexpected collapse of the bed, which can result in serious injury or death.



WARNING

TO AVOID THE RISK OF FIRE

- NEVER leave an electric blanket or any other heat source inside the closed bed.



WARNING

RISK OF INJURY

- NEVER attach any object to the front of the bed, such as frames, shelves, hooks, clothing or any other object which could damage the bed or cause injury.
- Do not leave anything on the bed that could prevent it from closing properly (pillows, cushions, stuffed toys, etc.) Failure to do so could result in damage to the bed, parts falling out or the bed opening unexpectedly and causing serious injury.



WARNING

- **ALWAYS** extend the leg when opening the bed. NEVER climb onto a bed with the leg not extended, as this may cause damage to the bed, floor or injury to yourself.
- **ALWAYS** rotate the leg inward before closing the bed to avoid damage to the leg.



Disassembly



WARNING

RISK OF DEATH OR SERIOUS INJURY: If the wall mounting screws are removed before the pistons and bed base are removed, the bed box may suddenly tip over resulting in serious injury or death.

- Only a professional or qualified person should disassemble a wall bed.
- If the wall bed is disassembled incorrectly, it may come off the wall and tip over suddenly.

Please contact customer's service at 1-833-296-3832 for instructions.

